

LARGE AREAS
FLOODLIGHTS
BIG ARENA

BIG

— HIGH
PERFORMANCE **HP**



INNOVATION AND RESEARCH MADE IN ITALY



INNOVATION
Always at the forefront of research & development of new solutions for illumination.



MADE IN ITALY
From design to production, we design and manufacture our products in Italy.



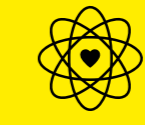
CUSTOMIZATION
We adapt and personalize the product according to specific project requirements.



SUPPORT
We stand by the designer and installer with constant professional technical assistance.



PEOPLE
1 research & development laboratory with 6 technicians and 4 researchers; 1 logistics and export department, commercial department, customer service, marketing, and communication office.



VALUES
Reliability, Listening, Problem-solving, Inclusivity, Love for the environment: these are our values that make us great every day.





BIG HP ARENA LARGE AREAS FLOODLIGHTS

The BIG ARENA floodlights family is the result of the most advanced technological research and Made in Italy production. Born to provide efficient lighting dedicated to large areas, it is enriched with HP215 technology: the utmost in efficiency and the usual reliability of all BIG models with the highest lumen/watt output in its category. Available in over 1856 variants to meet every lighting need for the space to be illuminated.

BEAMS ANGLES



POWER

From 420W to 1500W

LUMEN

From 64117 lm to 307254 lm

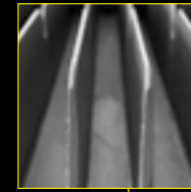
KELVIN DEGREES



MADE IN ITALY

HIGH PERFORMANCE HP

More light, more efficiency thanks to HP technology: up to 255 lumens per watt, a great help for energy savings.

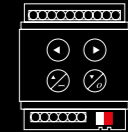


HIGH DISSIPATING POWER

Advanced heat sink for rapid heat dissipation in environments subject to high temperatures.



+/-180°

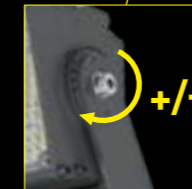


Possibility of configuration with the most advanced control systems (DMX).



NEW HIGH-EFFICIENCY DIODE

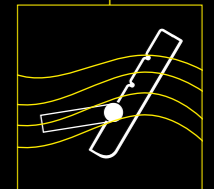
New high-lumen/wattage yield diode constant over time to ensure low operating costs with maximum brightness.



+/-30°

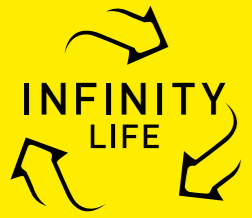
ADJUSTABLE INDEPENDENT MODULES

New system for orienting individual modules with a tilt of +/- 30° on the module's horizontal axis, for a better distribution of light through the aiming points.



MINIMAL AERODYNAMIC RESISTANCE

Minimal wind resistance thanks to the ability to adjust the inclination of individual modules.



INFINITY LIFE QUALITY PROGRAM

The Infinity Life PROGRAM ensures that the product can be refurbished and updated over the years, following the evolution of new technologies, making it an investment for the future.

Every product, regardless of its purpose, can be a valuable asset, both for us and for our planet. At the end of its life, it deserves a new chance.

Playled adheres to the Infinity Life project, which aims to give technological products an ambitious and infinitely useful mission: to be brought back to life instead of ending up unused forever.

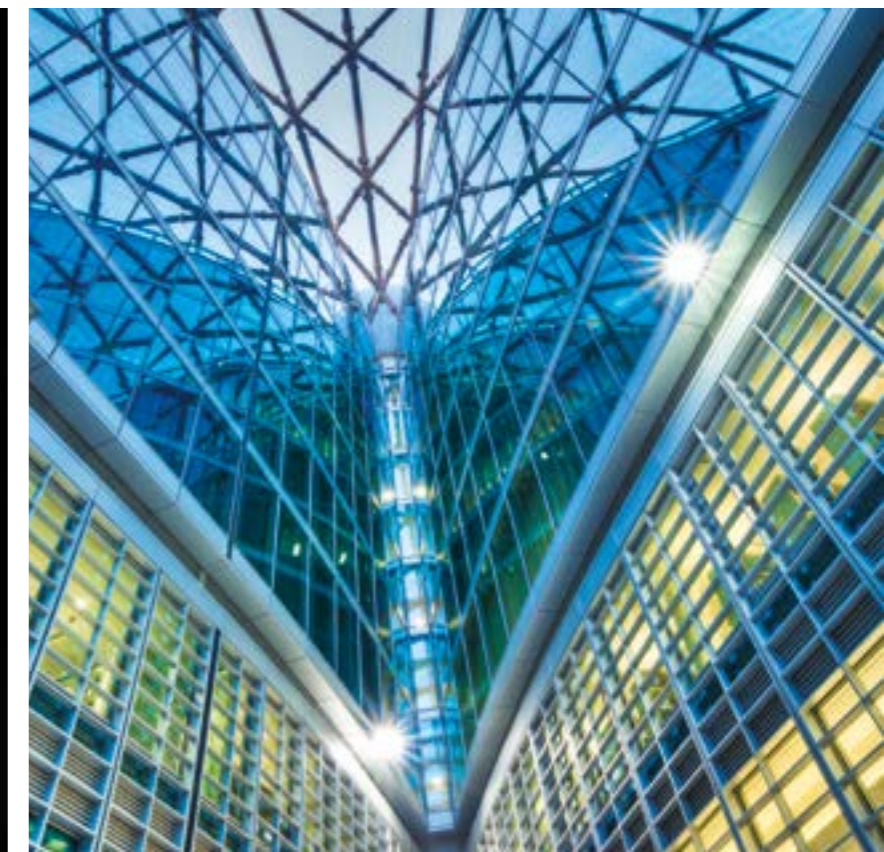
An Infinity Life product is more valuable because its regenerability makes it an investment rather than a simple consumable product. Its functionality will be more durable and productive compared to other products destined for the typical buy > use > end-of-life disposal cycle.



ADVANCED WARRANTY

SEVEN YEARS WARRANTY

Thanks to our technology and the reliability of all our components, we offer an advanced warranty system to protect your investment over time.



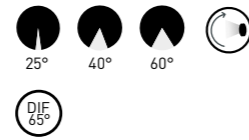
BIG ARENA HP 78000 NEW

BIG

High-performance outdoor single module floodlight with a multichip optical system to enhance light distribution and ensure high efficiency and reliability. Adjustable with a tilt of +/- 30° on the horizontal axis of the module itself, for a better distribution of light through the aiming points. The body features improved aerodynamic resistance, passivated, and coated with high-strength epoxy paints, stainless steel hardware, and a goniometric system for precise adjustment of the light beam. Produced with a quality guarantee over time: Infinity Life.



BEAM ANGLE



MAX. BRIGHTNESS

71879 LM REAL LUMES
77181 LM RATED LUMES

CONTROLLED LIGHT FLOW



PRODUCT PLUS

VIRTUAL MIDNIGHT
Upon request, an efficient solution based on intelligent technologies to reduce consumption by using only the light that is needed, when needed. Management and maintenance costs are not required.

POWER SUPPLY SEPARATE FROM THE BODY
Available with a separate power supply to enhance reliability and expedite maintenance by simplifying the process.

HP HIGH EFFICIENCY LUMEN WATT
High-performance system with maximised efficiency to ensure low running costs with high reliability.

INFINITY LIFE
The Infinity Life program ensures that the product can be regenerated, refurbished, and updated over the years, following the evolution of new technologies, making it an investment for the future.

RELIABLE AND DURABLE
Stainless steel hardware. Passivated body and painted with epoxy powders with high resistance tested to salt spray mists, also suitable for use in marine environments.

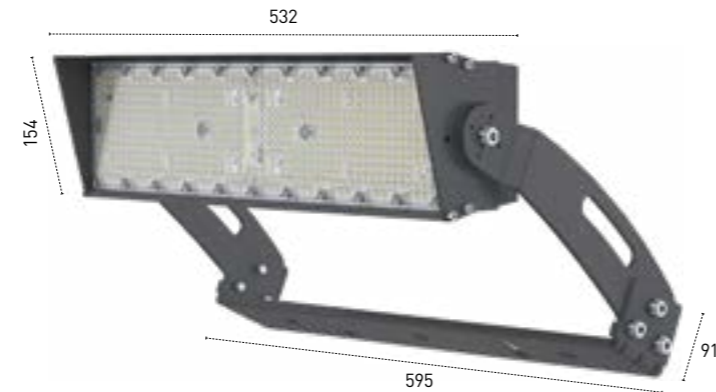
MULTI-CHIP OPTICAL SYSTEM
For controlled light beam distribution and high efficiency.

SUITABLE FOR APPROVED SPORTS INSTALLATIONS
Conforms to the highest quality standards to comply with lighting regulations and requirements. F.I.G.C. - F.I.T. - F.I.N. - F.I.P. (ITALIAN STANDARDS)

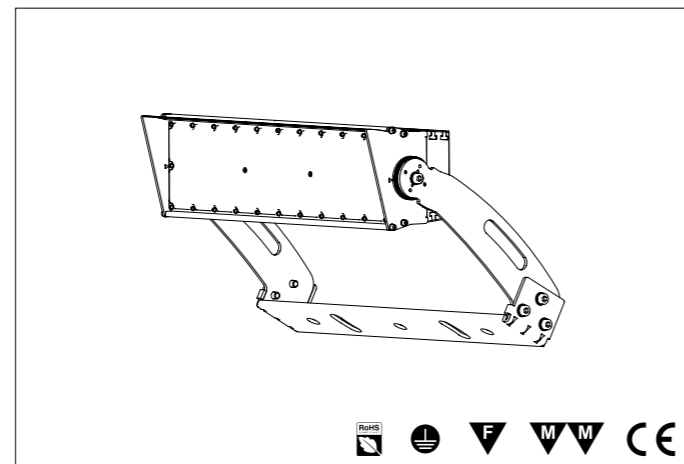
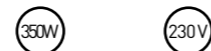
DOUBLE INSULATION CLASS II
On request in double insulation class for installation without earthing.

10KV SURGE PROTECTION
Equipped with surge protection in accordance with IEC 61643-11:2011: CLASS III and CLASS II.

DALI 1-10V ON DEMAND DIMMABLE DALI / DALI 2 / 1-10
Ideal for adapting to all lighting technology and efficiency requirements.



CONSUMPTION POWER SUPPLY



BIG

NEW BIG ARENA HP 78000

GENERAL FEATURES	
DEGREE OF PROTECTION	IP66
IK	08
WEIGHT	7500 G
LIGHTING FEATURES	
LED TYPE	3030 TYF
CHROME YIELD	80
RG	0 ETHR
FLUX MAINTENANCE	90% 100000HR (L90B10)
INITIAL CHROMATICITY	SDCM <3
TOLLER. LUMINOUS FLUX	+/- 7%
ELECTRICAL CHARACTERISTICS	
WATT	350
TOLERANCE CONSUMPTION	+/- 10%
LIGHT SOURCES	616
POWER SUPPLY	230 V

ELECTRICAL CHARACTERISTICS	
DIMMABLE	NO
POWER FACTOR	0,9
MAINTENANCE INDEX	0,9
MATERIAL FINISHES	
BODY	DIE-CAST ALUMINIUM PASSIVATED EPOXY POWDER COATED
FINISH	RAL9023
SCREEN	POLYMETHYL METHACRYLATE
CABLE	1500MM 3X1,00 NEOPRENE
CABLE GLAND	NICKEL-PLATED BRASS
TEMPERATURES	
STORAGE	-35°C TO +80°C
OPERATING	-35°C TO +50°C
RELIABILITY	UP TO 7 YEARS WARRANTY
RECYCLABILITY	95%

CUSTOMIZATION	CODE TO DIAL
CABLE The dimensions and type of cable may be different from the standard	LENGTH IN CM CODE ARTICLE + C + CM TOT
	1-10 CODE ARTICLE + D1
DIMMING	DALI / DALI 2 CODE ARTICLE + DD
QUICK CONNECTOR IP68 TECHN0	CODE ARTICLE + THB
OVERVOLTAGE PROTECTION FOR VOLTAGES HIGHER THAN 10KV	ON REQUEST
DOUBLE INSULATION CLASS II	ON REQUEST
POWER SUPPLY SEPARATE FROM THE BODY	ON REQUEST

ARTICLES

CODE	KELVIN DEGREES	ANG.	LUMEN		METEL
			RATED LUMES	REAL OUTPUT	
SYMMETRICAL					
BGSH7835020C	3000 K	25°	69824	65034	BIG78000 PROIET.350W 25°230V 3000K IP66
BGSH7835040C	3000 K	40°	69824	63759	BIG78000 PROIET.350W 40°230V 3000K IP66
BGSH7835060C	3000 K	60°	69824	62509	BIG78000 PROIET.350W 60°230V 3000K IP66
BGSH7835020N	4000 K	25°	76481	68469	BIG78000 PROIET.350W 25°230V 4000K IP66
BGSH7835040N	4000 K	40°	74982	67127	BIG78000 PROIET.350W 40°230V 4000K IP66
BGSH7835060N	4000 K	60°	73512	65811	BIG78000 PROIET.350W 60°230V 4000K IP66
BGSH7835020F	5500 K	25°	77181	71879	BIG78000 PROIET.350W 25°230V 5500K IP66
BGSH7835040F	5500 K	40°	77181	70471	BIG78000 PROIET.350W 40°230V 5500K IP66
BGSH7835060F	5500 K	60°	77181	69089	BIG78000 PROIET.350W 60°230V 5500K IP66
ASYMMETRICAL					
BGSH78350AC	3000 K	DIFF 65°	69824	61258	BIG78000 PR.350W A.DIF.65°230V 3000K IP66
BGSH78350AN	4000 K	DIFF 65°	72041	64494	BIG78000 PR.350W A.DIF.65°230V 4000K IP66
BGSH78350AF	5500 K	DIFF 65°	77181	67707	BIG78000 PR.350W A.DIF.65°230V 5500K IP66

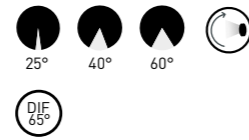
BIG ARENA HP 88000 NEW

BIG

High-performance outdoor single module floodlight with a multichip optical system to enhance light distribution and ensure high efficiency and reliability. Adjustable with a tilt of +/- 30° on the horizontal axis of the module itself, for a better distribution of light through the aiming points. The body features improved aerodynamic resistance, passivated, and coated with high-strength epoxy paints, stainless steel hardware, and a goniometric system for precise adjustment of the light beam. Produced with a quality guarantee over time: Infinity Life.



BEAM ANGLE



MAX. BRIGHTNESS

81942 LM
REAL LUMES

87986 LM
RATED LUMES

CONTROLLED LIGHT FLOW



PRODUCT PLUS

VIRTUAL MIDNIGHT
Upon request, an efficient solution based on intelligent technologies to reduce consumption by using only the light that is needed, when needed. Management and maintenance costs are not required.

POWER SUPPLY SEPARATE FROM THE BODY
Available with a separate power supply to enhance reliability and expedite maintenance by simplifying the process.

HP
HIGH EFFICIENCY LUMEN WATT
High-performance system with maximised efficiency to ensure low running costs with high reliability.

INFINITY LIFE
The Infinity Life program ensures that the product can be regenerated, refurbished, and updated over the years, following the evolution of new technologies, making it an investment for the future.

RELIABLE AND DURABLE
Stainless steel hardware. Passivated body and painted with epoxy powders with high resistance tested to salt spray mists, also suitable for use in marine environments.

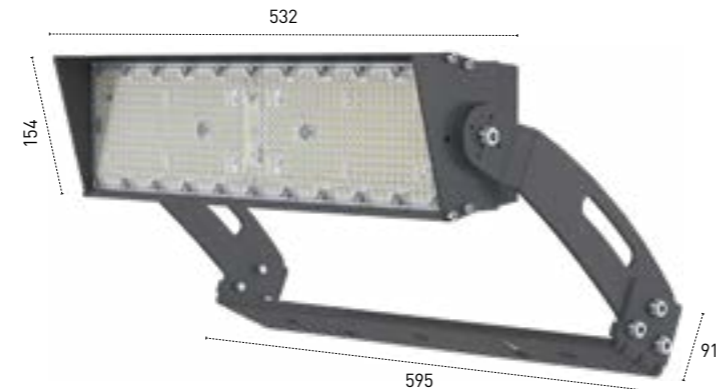
MULTI-CHIP OPTICAL SYSTEM
For controlled light beam distribution and high efficiency.

SUITABLE FOR APPROVED SPORTS INSTALLATIONS
Conforms to the highest quality standards to comply with lighting regulations and requirements. F.I.G.C. - F.I.T. - F.I.N. - F.I.P. (ITALIAN STANDARDS)

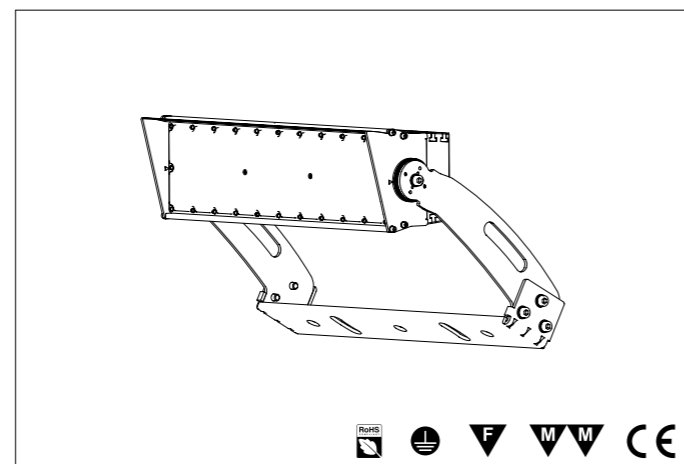
DOUBLE INSULATION CLASS II
On request in double insulation class for installation without earthing.

10 kV
SURGE PROTECTION
Equipped with surge protection in accordance with IEC 61643-11:2011: CLASS III and CLASS II.

DALI
1-10 V
ON DEMAND DIMMABLE DALI / DALI 2 / 1-10
Ideal for adapting to all lighting technology and efficiency requirements.



CONSUMPTION POWER SUPPLY



BIG

NEW BIG ARENA HP 88000

GENERAL FEATURES	
DEGREE OF PROTECTION	IP66
IK	08
WEIGHT	7500 G
LIGHTING FEATURES	
LED TYPE	3030 TYF
CHROME YIELD	80
RG	0 ETHR
FLUX MAINTENANCE	90% 100000HR (L90B10)
INITIAL CHROMATICITY	SDCM <3
TOLLER. LUMINOUS FLUX	+/- 7%
ELECTRICAL CHARACTERISTICS	
WATT	400
TOLERANCE CONSUMPTION	+/- 10%
LIGHT SOURCES	616
POWER SUPPLY	230 V

ELECTRICAL CHARACTERISTICS	
DIMMABLE	NO
POWER FACTOR	0,9
MAINTENANCE INDEX	0,9
MATERIAL FINISHES	
BODY	DIE-CAST ALUMINIUM PASSIVATED EPOXY POWDER COATED
FINISH	RAL9023
SCREEN	POLYMETHYL METHACRYLATE
CABLE	1500MM 3X1,00 NEOPRENE
CABLE GLAND	NICKEL-PLATED BRASS
TEMPERATURES	
STORAGE	-35°C TO +80°C
OPERATING	-35°C TO +50°C
RELIABILITY	UP TO 7 YEARS WARRANTY
RECYCLABILITY	95%

CUSTOMIZATION	CODE TO DIAL
CABLE The dimensions and type of cable may be different from the standard	LENGTH IN CM CODE ARTICLE + C + CM TOT
	1-10 CODE ARTICLE + D1
DIMMING	DALI / DALI 2 CODE ARTICLE + DD
QUICK CONNECTOR IP68 TECHN	CODE ARTICLE + THB
OVERVOLTAGE PROTECTION FOR VOLTAGES HIGHER THAN 10KV	ON REQUEST
DOUBLE INSULATION CLASS II	ON REQUEST
POWER SUPPLY SEPARATE FROM THE BODY	ON REQUEST

ARTICLES

CODE	KELVIN DEGREES	ANG.	LUMEN		METEL
			RATED LUMES	REAL OUTPUT	
SYMMETRICAL					
BGSH8840020C	3000 K	25°	79598	74138	BIG88000 PROIET.400W 25°230V 3000K IP66
BGSH8840040C	3000 K	40°	79598	72684	BIG88000 PROIET.400W 40°230V 3000K IP66
BGSH8840060C	3000 K	60°	79598	71260	BIG88000 PROIET.400W 60°230V 3000K IP66
BGSH8840020N	4000 K	25°	87188	78054	BIG88000 PROIET.400W 25°230V 4000K IP66
BGSH8840040N	4000 K	40°	85478	76524	BIG88000 PROIET.400W 40°230V 4000K IP66
BGSH8840060N	4000 K	60°	83802	75024	BIG88000 PROIET.400W 60°230V 4000K IP66
BGSH8840020F	5500 K	25°	87986	81942	BIG88000 PROIET.400W 25°230V 5500K IP66
BGSH8840040F	5500 K	40°	87986	80336	BIG88000 PROIET.400W 40°230V 5500K IP66
BGSH8840060F	5500 K	60°	87986	78760	BIG88000 PROIET.400W 60°230V 5500K IP66
ASYMMETRICAL					
BGSH88400AC	3000 K	DIFF 65°	79598	69834	BIG88000 PR.400W A.DIF.65°230V 3000K IP66
BGSH88400AN	4000 K	DIFF 65°	82126	73522	BIG88000 PR.400W A.DIF.65°230V 4000K IP66
BGSH88400AF	5500 K	DIFF 65°	87986	77184	BIG88000 PR.400W A.DIF.65°230V 5500K IP66

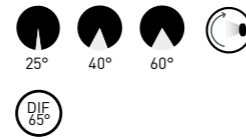
BIG ARENA HP 99000 NEW

BIG

High-performance outdoor single module floodlight with a multichip optical system to enhance light distribution and ensure high efficiency and reliability. Adjustable with a tilt of +/- 30° on the horizontal axis of the module itself, for a better distribution of light through the aiming points. The body features improved aerodynamic resistance, passivated, and coated with high-strength epoxy paints, stainless steel hardware, and a goniometric system for precise adjustment of the light beam. Produced with a quality guarantee over time: Infinity Life.



BEAM ANGLE



MAX. BRIGHTNESS

92185 LM REAL LUMES
98984 LM RATED LUMES

CONTROLLED LIGHT FLOW



PRODUCT PLUS

VIRTUAL MIDNIGHT
Upon request, an efficient solution based on intelligent technologies to reduce consumption by using only the light that is needed, when needed. Management and maintenance costs are not required.

POWER SUPPLY SEPARATE FROM THE BODY
Available with a separate power supply to enhance reliability and expedite maintenance by simplifying the process.

HP HIGH EFFICIENCY LUMEN WATT
High-performance system with maximised efficiency to ensure low running costs with high reliability.

INFINITY LIFE
The Infinity Life program ensures that the product can be regenerated, refurbished, and updated over the years, following the evolution of new technologies, making it an investment for the future.

RELIABLE AND DURABLE
Stainless steel hardware. Passivated body and painted with epoxy powders with high resistance tested to salt spray mists, also suitable for use in marine environments.

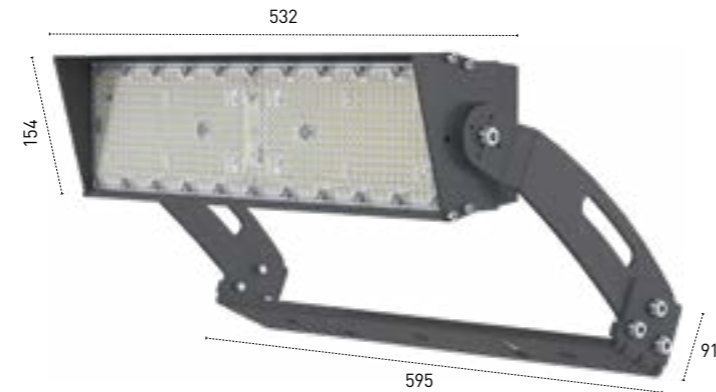
MULTI-CHIP OPTICAL SYSTEM
For controlled light beam distribution and high efficiency.

SUITABLE FOR APPROVED SPORTS INSTALLATIONS
Conforms to the highest quality standards to comply with lighting regulations and requirements. F.I.G.C. - F.I.T. - F.I.N. - F.I.P. (ITALIAN STANDARDS)

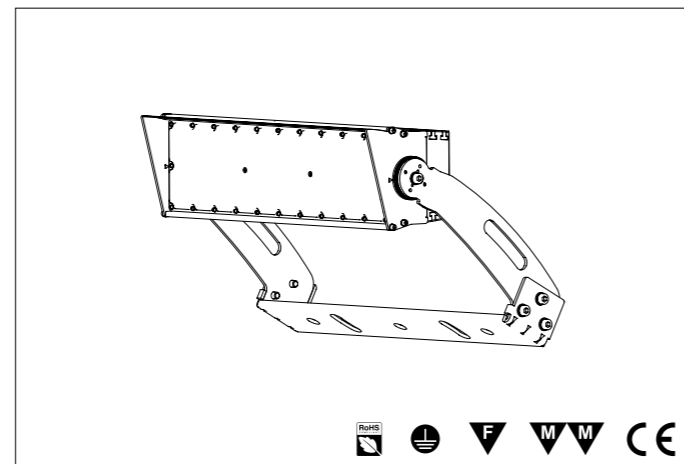
DOUBLE INSULATION CLASS II
On request in double insulation class for installation without earthing.

10 kV SURGE PROTECTION
Equipped with surge protection in accordance with IEC 61643-11:2011: CLASS III and CLASS II.

DALI 1-10V ON DEMAND DIMMABLE DALI / DALI 2 / 1-10
Ideal for adapting to all lighting technology and efficiency requirements.



CONSUMPTION POWER SUPPLY



BIG

NEW BIG ARENA HP 99000

GENERAL FEATURES	
DEGREE OF PROTECTION	IP66
IK	08
WEIGHT	7500 G
LIGHTING FEATURES	
LED TYPE	3030 TYF
CHROME YIELD	80
RG	0 ETHR
FLUX MAINTENANCE	90% 100000HR (L90B10)
INITIAL CHROMATICITY	SDCM <3
TOLLER. LUMINOUS FLUX	+/- 7%
ELECTRICAL CHARACTERISTICS	
WATT	450
TOLERANCE CONSUMPTION	+/- 10%
LIGHT SOURCES	616
POWER SUPPLY	230 V

ELECTRICAL CHARACTERISTICS	
DIMMABLE	NO
POWER FACTOR	0,9
MAINTENANCE INDEX	0,9
MATERIAL FINISHES	
BODY	DIE-CAST ALUMINIUM PASSIVATED EPOXY POWDER COATED
FINISH	RAL9023
SCREEN	POLYMETHYL METHACRYLATE
CABLE	1500MM 3X1,00 NEOPRENE
CABLE GLAND	NICKEL-PLATED BRASS
TEMPERATURES	
STORAGE	-35°C TO +80°C
OPERATING	-35°C TO +50°C
RELIABILITY	UP TO 7 YEARS WARRANTY
RECYCLABILITY	95%

CUSTOMIZATION	CODE TO DIAL
CABLE The dimensions and type of cable may be different from the standard	LENGTH IN CM CODE ARTICLE + C + CM TOT
	1-10 CODE ARTICLE + D1
DIMMING	DALI / DALI 2 CODE ARTICLE + DD
QUICK CONNECTOR IP68 TECHN0	CODE ARTICLE + THB
OVERVOLTAGE PROTECTION FOR VOLTAGES HIGHER THAN 10KV	ON REQUEST
DOUBLE INSULATION CLASS II	ON REQUEST
POWER SUPPLY SEPARATE FROM THE BODY	ON REQUEST

ARTICLES

CODE	KELVIN DEGREES	ANG.	LUMEN		METEL
			RATED LUMES	REAL OUTPUT	
SYMMETRICAL					
BGSHPP9945020C	3000 K	25°	89548	83405	BIG99000 PROIET.450W 25°230V 3000K IP66
BGSHPP9945040C	3000 K	40°	89548	81770	BIG99000 PROIET.450W 40°230V 3000K IP66
BGSHPP9945060C	3000 K	60°	89548	80168	BIG99000 PROIET.450W 60°230V 3000K IP66
BGSHPP9945020N	4000 K	25°	98087	87811	BIG99000 PROIET.450W 25°230V 4000K IP66
BGSHPP9945040N	4000 K	40°	96163	86090	BIG99000 PROIET.450W 40°230V 4000K IP66
BGSHPP9945060N	4000 K	60°	94277	84402	BIG99000 PROIET.450W 60°230V 4000K IP66
BGSHPP9945020F	5500 K	25°	98984	92185	BIG99000 PROIET.450W 25°230V 5500K IP66
BGSHPP9945040F	5500 K	40°	98984	90378	BIG99000 PROIET.450W 40°230V 5500K IP66
BGSHPP9945060F	5500 K	60°	98984	88605	BIG99000 PROIET.450W 60°230V 5500K IP66
ASYMMETRICAL					
BGSHPP99450AC	3000 K	DIFF 65°	89548	78563	BIG99000 PR.450W A.DIF.65°230V 3000K IP66
BGSHPP99450AN	4000 K	DIFF 65°	92392	82712	BIG99000 PR.450W A.DIF.65°230V 4000K IP66
BGSHPP99450AF	5500 K	DIFF 65°	98984	86832	BIG99000 PR.450W A.DIF.65°230V 5500K IP66

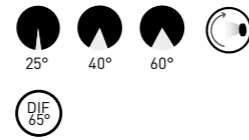
BIG ARENA HP 110000 NEW

BIG

High-performance outdoor single module floodlight with a multichip optical system to enhance light distribution and ensure high efficiency and reliability. Adjustable with a tilt of +/- 30° on the horizontal axis of the module itself, for a better distribution of light through the aiming points. The body features improved aerodynamic resistance, passivated, and coated with high-strength epoxy paints, stainless steel hardware, and a goniometric system for precise adjustment of the light beam. Produced with a quality guarantee over time: Infinity Life.



BEAM ANGLE



MAX. BRIGHTNESS

102418 LM REAL LUMES
109971 LM RATED LUMES

CONTROLLED LIGHT FLOW



PRODUCT PLUS

VIRTUAL MIDNIGHT
Upon request, an efficient solution based on intelligent technologies to reduce consumption by using only the light that is needed, when needed. Management and maintenance costs are not required.

POWER SUPPLY SEPARATE FROM THE BODY
Available with a separate power supply to enhance reliability and expedite maintenance by simplifying the process.

HIGH EFFICIENCY LUMEN WATT
High-performance system with maximised efficiency to ensure low running costs with high reliability.

INFINITY LIFE
The Infinity Life program ensures that the product can be regenerated, refurbished, and updated over the years, following the evolution of new technologies, making it an investment for the future.

RELIABLE AND DURABLE
Stainless steel hardware. Passivated body and painted with epoxy powders with high resistance tested to salt spray mists, also suitable for use in marine environments.

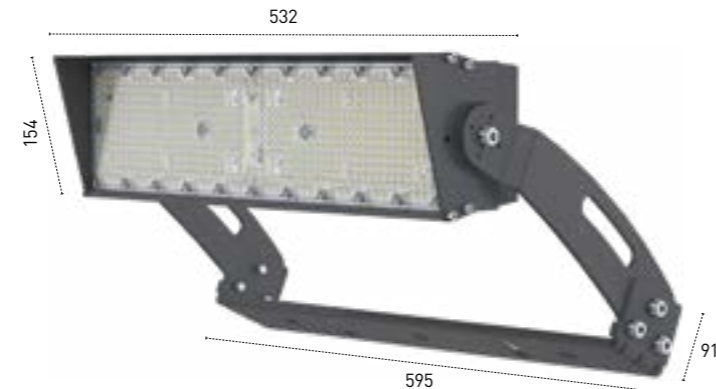
MULTI-CHIP OPTICAL SYSTEM
For controlled light beam distribution and high efficiency.

SUITABLE FOR APPROVED SPORTS INSTALLATIONS
Conforms to the highest quality standards to comply with lighting regulations and requirements. F.I.G.C. - F.I.T. - F.I.N. - F.I.P. (ITALIAN STANDARDS)

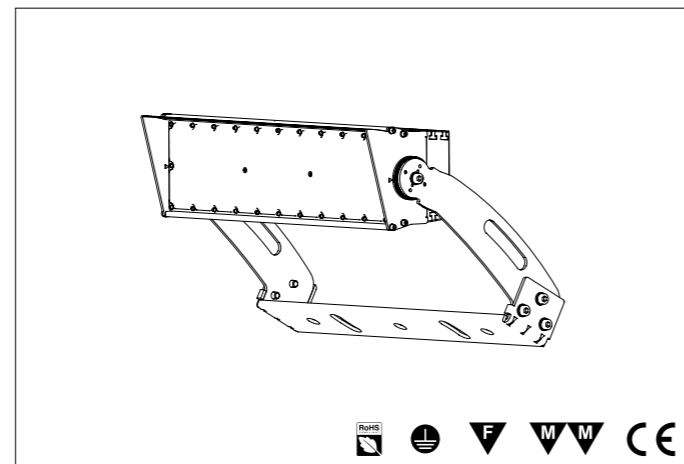
DOUBLE INSULATION CLASS II
On request in double insulation class for installation without earthing.

SURGE PROTECTION
Equipped with surge protection in accordance with IEC 61643-11:2011: CLASS III and CLASS II.

ON DEMAND DIMMABLE DALI / DALI 2 / 1-10
Ideal for adapting to all lighting technology and efficiency requirements.



CONSUMPTION POWER SUPPLY



BIG

BIG ARENA HP 110000 NEW

GENERAL FEATURES	
DEGREE OF PROTECTION	IP66
IK	08
WEIGHT	7500 G
LIGHTING FEATURES	
LED TYPE	3030 TYF
CHROME YIELD	80
RG	0 ETHR
FLUX MAINTENANCE	90% 100000HR (L90B10)
INITIAL CHROMATICITY	SDCM <3
TOLLER. LUMINOUS FLUX	+/- 7%
ELECTRICAL CHARACTERISTICS	
WATT	500
TOLERANCE CONSUMPTION	+/- 10%
LIGHT SOURCES	616
POWER SUPPLY	230 V

ELECTRICAL CHARACTERISTICS	
DIMMABLE	NO
POWER FACTOR	0,9
MAINTENANCE INDEX	0,9
MATERIAL FINISHES	
BODY	DIE-CAST ALUMINIUM PASSIVATED EPOXY POWDER COATED
FINISH	RAL9023
SCREEN	POLYMETHYL METHACRYLATE
CABLE	1500MM 3X1,00 NEOPRENE
CABLE GLAND	NICKEL-PLATED BRASS
TEMPERATURES	
STORAGE	-35°C TO +80°C
OPERATING	-35°C TO +50°C
RELIABILITY	UP TO 7 YEARS WARRANTY
RECYCLABILITY	95%

CUSTOMIZATION	CODE TO DIAL
CABLE The dimensions and type of cable may be different from the standard	LENGTH IN CM CODE ARTICLE + C + CM TOT
DIMMING	1-10 DALI / DALI 2 CODE ARTICLE + D1 CODE ARTICLE + DD
QUICK CONNECTOR IP68 TECHN0	CODE ARTICLE + THB
OVERVOLTAGE PROTECTION FOR VOLTAGES HIGHER THAN 10KV	ON REQUEST
DOUBLE INSULATION CLASS II	ON REQUEST
POWER SUPPLY SEPARATE FROM THE BODY	ON REQUEST

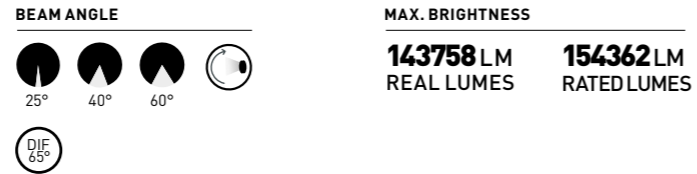
ARTICLES

CODE	KELVIN DEGREES	ANG.	LUMEN		METEL
			RATED LUMES	REAL OUTPUT	
SYMMETRICAL					
BGSHP1050020C	3000 K	25°	99488	92663	BIG110000 PROIET.500W 25°230V 3000K IP66
BGSHP1050040C	3000 K	40°	99488	90846	BIG110000 PROIET.500W 40°230V 3000K IP66
BGSHP1050060C	3000 K	60°	99488	89067	BIG110000 PROIET.500W 60°230V 3000K IP66
BGSHP1050020N	4000 K	25°	108975	97558	BIG110000 PROIET.500W 25°230V 4000K IP66
BGSHP1050040N	4000 K	40°	106837	95646	BIG110000 PROIET.500W 40°230V 4000K IP66
BGSHP1050060N	4000 K	60°	104742	93771	BIG110000 PROIET.500W 60°230V 4000K IP66
BGSHP1050020F	5500 K	25°	109971	102418	BIG110000 PROIET.500W 25°230V 5500K IP66
BGSHP1050040F	5500 K	40°	109971	100410	BIG110000 PROIET.500W 40°230V 5500K IP66
BGSHP1050060F	5500 K	60°	109971	98440	BIG110000 PROIET.500W 60°230V 5500K IP66
ASYMMETRICAL					
BGSHP10500AC	3000 K	DIFF 65°	99488	87283	BIG110000 PR.500W A.DIF.65°230V 3000K IP66
BGSHP10500AN	4000 K	DIFF 65°	102648	91893	BIG110000 PR.500W A.DIF.65°230V 4000K IP66
BGSHP10500AF	5500 K	DIFF 65°	109971	96470	BIG110000 PR.500W A.DIF.65°230V 5500K IP66

BIG ARENA HP 156000 NEW

BIG

High-performance outdoor floodlight with a multichip optical system to enhance light distribution and ensure high efficiency and reliability. Two modules adjustable with a tilt of +/- 30° on the horizontal axis of the module itself, for a better distribution of light through the aiming points. The body features improved aerodynamic resistance, passivated, and coated with high-strength epoxy paints, stainless steel hardware, and a goniometric system for precise adjustment of the light beam. Produced with a quality guarantee over time: Infinity Life.



CONTROLLED LIGHT FLOW



PRODUCT PLUS

VIRTUAL MIDNIGHT
Upon request, an efficient solution based on intelligent technologies to reduce consumption by using only the light that is needed, when needed. Management and maintenance costs are not required.

POWER SUPPLY SEPARATE FROM THE BODY
Available with a separate power supply to enhance reliability and expedite maintenance by simplifying the process.

HP HIGH EFFICIENCY LUMEN WATT
High-performance system with maximised efficiency to ensure low running costs with high reliability.

INFINITY LIFE
The Infinity Life program ensures that the product can be regenerated, refurbished, and updated over the years, following the evolution of new technologies, making it an investment for the future.

RELIABLE AND DURABLE
Stainless steel hardware. Passivated body and painted with epoxy powders with high resistance tested to salt spray mists, also suitable for use in marine environments.

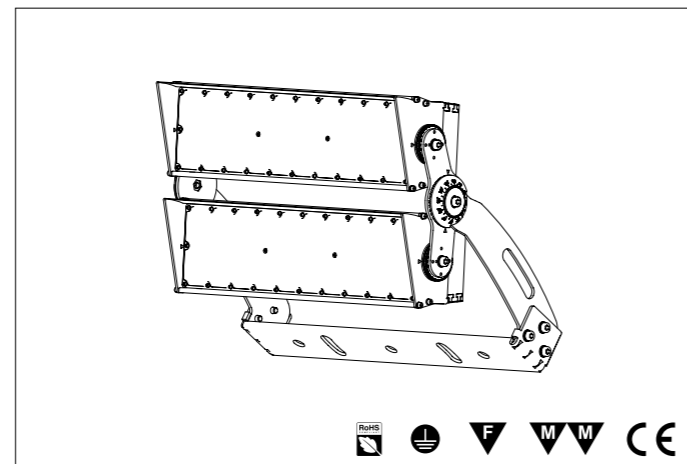
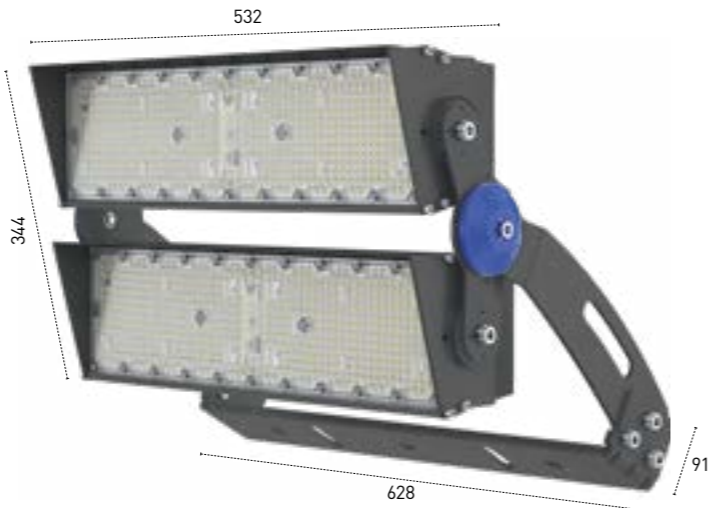
MULTI-CHIP OPTICAL SYSTEM
For controlled light beam distribution and high efficiency.

SUITABLE FOR APPROVED SPORTS INSTALLATIONS
Conforms to the highest quality standards to comply with lighting regulations and requirements. F.I.G.C. - F.I.T. - F.I.N. - F.I.P. (ITALIAN STANDARDS)

DOUBLE INSULATION CLASS II
On request in double insulation class for installation without earthing.

10KV SURGE PROTECTION
Equipped with surge protection in accordance with IEC 61643-11:2011: CLASS III and CLASS II.

DALI 1-10V ON DEMAND DIMMABLE DALI / DALI 2 / 1-10
Ideal for adapting to all lighting technology and efficiency requirements.



BIG

BIG ARENA HP 156000 NEW

GENERAL FEATURES	
DEGREE OF PROTECTION	IP66
IK	08
WEIGHT	16000 G
LIGHTING FEATURES	
LED TYPE	3030 TYF
CHROME YIELD	80
RG	0 ETHR
FLUX MAINTENANCE	90% 100000HR (L90B10)
INITIAL CHROMATICITY	SDCM <3
TOLLER. LUMINOUS FLUX	+/- 7%
ELECTRICAL CHARACTERISTICS	
WATT	700
TOLERANCE CONSUMPTION	+/- 10%
LIGHT SOURCES	1232
POWER SUPPLY	230 V

ELECTRICAL CHARACTERISTICS	
DIMMABLE	NO
POWER FACTOR	0,9
MAINTENANCE INDEX	0,9
MATERIAL FINISHES	
BODY	DIE-CAST ALUMINIUM PASSIVATED EPOXY POWDER COATED
FINISH	RAL9023
SCREEN	POLYMETHYL METHACRYLATE
CABLE	1500MM 3X1,00 NEOPRENE
CABLE GLAND	NICKEL-PLATED BRASS
TEMPERATURES	
STORAGE	-35°C TO +80°C
OPERATING	-35°C TO +50°C
RELIABILITY	UP TO 7 YEARS WARRANTY
RECYCLABILITY	95%

CUSTOMIZATION	LENGTH IN CM	CODE TO DIAL
CABLE The dimensions and type of cable may be different from the standard		CODE ARTICLE + C + CM TOT
	1-10	CODE ARTICLE + D1
DIMMING	DALI / DALI 2	CODE ARTICLE + DD
QUICK CONNECTOR IP68 TECHN0		CODE ARTICLE + THB
OVERVOLTAGE PROTECTION FOR VOLTAGES HIGHER THAN 10KV		ON REQUEST
DOUBLE INSULATION CLASS II		ON REQUEST
POWER SUPPLY SEPARATE FROM THE BODY		ON REQUEST

ARTICLES

CODE	KELVIN DEGREES	ANG.	LUMEN		METEL
			RATED LUMES	REAL OUTPUT	
SYMMETRICAL					
BGSHP15670020C	3000 K	25°	139648	130068	BIG156000 PROIET.700W 25°230V 3000K IP66
BGSHP15670040C	3000 K	40°	139648	127518	BIG156000 PROIET.700W 40°230V 3000K IP66
BGSHP15670060C	3000 K	60°	139648	125018	BIG156000 PROIET.700W 60°230V 3000K IP66
BGSHP15670020N	4000 K	25°	152962	136938	BIG156000 PROIET.700W 25°230V 4000K IP66
BGSHP15670040N	4000 K	40°	149964	134254	BIG156000 PROIET.700W 40°230V 4000K IP66
BGSHP15670060N	4000 K	60°	147024	131622	BIG156000 PROIET.700W 60°230V 4000K IP66
BGSHP15670020F	5500 K	25°	154362	143758	BIG156000 PROIET.700W 25°230V 5500K IP66
BGSHP15670040F	5500 K	40°	154362	140942	BIG156000 PROIET.700W 40°230V 5500K IP66
BGSHP15670060F	5500 K	60°	154362	138178	BIG156000 PROIET.700W 60°230V 5500K IP66
ASYMMETRICAL					
BGSHP156700AC	3000 K	DIFF 65°	139648	122516	BIG156000 PR.700W A.DIF.65°230V 3000K IP66
BGSHP156700AN	4000 K	DIFF 65°	144082	128988	BIG156000 PR.700W A.DIF.65°230V 4000K IP66
BGSHP156700AF	5500 K	DIFF 65°	154362	135414	BIG156000 PR.700W A.DIF.65°230V 5500K IP66

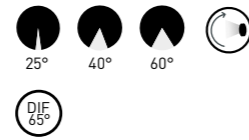
BIG ARENA HP 176000 NEW

BIG

High-performance outdoor floodlight with a multichip optical system to enhance light distribution and ensure high efficiency and reliability. Two modules adjustable with a tilt of +/- 30° on the horizontal axis of the module itself, for a better distribution of light through the aiming points. The body features improved aerodynamic resistance, passivated, and coated with high-strength epoxy paints, stainless steel hardware, and a goniometric system for precise adjustment of the light beam. Produced with a quality guarantee over time: Infinity Life.



BEAM ANGLE



MAX. BRIGHTNESS

163884 LM
REAL LUMES

175972 LM
RATED LUMES

CONTROLLED LIGHT FLOW



PRODUCT PLUS

VIRTUAL MIDNIGHT
Upon request, an efficient solution based on intelligent technologies to reduce consumption by using only the light that is needed, when needed. Management and maintenance costs are not required.

POWER SUPPLY SEPARATE FROM THE BODY
Available with a separate power supply to enhance reliability and expedite maintenance by simplifying the process.

HIGH EFFICIENCY LUMEN WATT
High-performance system with maximised efficiency to ensure low running costs with high reliability.

INFINITY LIFE
The Infinity Life program ensures that the product can be regenerated, refurbished, and updated over the years, following the evolution of new technologies, making it an investment for the future.

RELIABLE AND DURABLE
Stainless steel hardware. Passivated body and painted with epoxy powders with high resistance tested to salt spray mists, also suitable for use in marine environments.

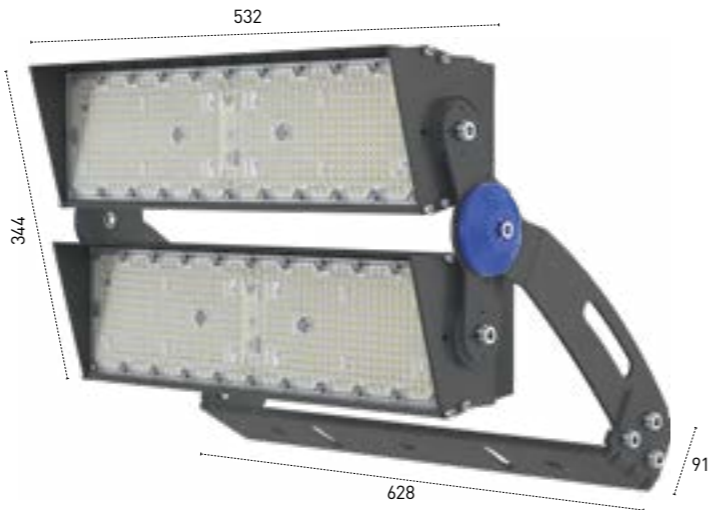
MULTI-CHIP OPTICAL SYSTEM
For controlled light beam distribution and high efficiency.

SUITABLE FOR APPROVED SPORTS INSTALLATIONS
Conforms to the highest quality standards to comply with lighting regulations and requirements. F.I.G.C. - F.I.T. - F.I.N. - F.I.P. (ITALIAN STANDARDS)

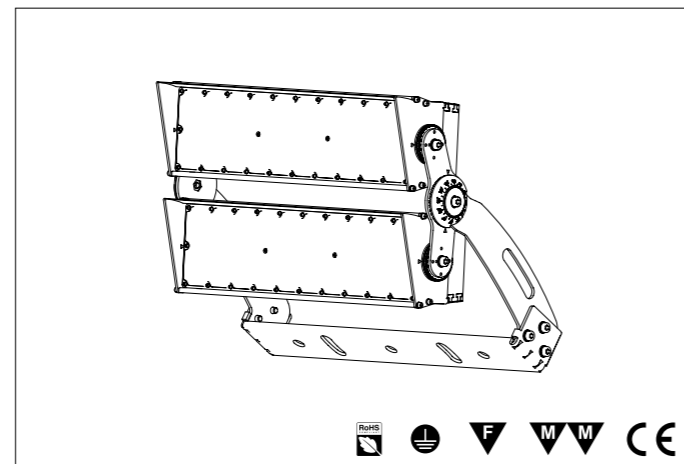
DOUBLE INSULATION CLASS II
On request in double insulation class for installation without earthing.

SURGE PROTECTION
Equipped with surge protection in accordance with IEC 61643-11:2011: CLASS III and CLASS II.

ON DEMAND DIMMABLE DALI / DALI 2 / 1-10
Ideal for adapting to all lighting technology and efficiency requirements.



CONSUMPTION POWER SUPPLY



BIG

BIG ARENA HP 176000 NEW

GENERAL FEATURES	
DEGREE OF PROTECTION	IP66
IK	08
WEIGHT	16000 G
LIGHTING FEATURES	
LED TYPE	3030 TYF
CHROME YIELD	80
RG	0 ETHR
FLUX MAINTENANCE	90% 100000HR (L90B10)
INITIAL CHROMATICITY	SDCM <3
TOLLER. LUMINOUS FLUX	+/- 7%
ELECTRICAL CHARACTERISTICS	
WATT	800
TOLERANCE CONSUMPTION	+/- 10%
LIGHT SOURCES	1232
POWER SUPPLY	230 V

ELECTRICAL CHARACTERISTICS	
DIMMABLE	NO
POWER FACTOR	0,9
MAINTENANCE INDEX	0,9
MATERIAL FINISHES	
BODY	DIE-CAST ALUMINIUM PASSIVATED EPOXY POWDER COATED
FINISH	RAL9023
SCREEN	POLYMETHYL METHACRYLATE
CABLE	1500MM 3X1,00 NEOPRENE
CABLE GLAND	NICKEL-PLATED BRASS
TEMPERATURES	
STORAGE	-35°C TO +80°C
OPERATING	-35°C TO +50°C
RELIABILITY	UP TO 7 YEARS WARRANTY
RECYCLABILITY	95%

CUSTOMIZATION	LENGTH IN CM	CODE TO DIAL
CABLE The dimensions and type of cable may be different from the standard		CODE ARTICLE + C + CM TOT
	1-10	CODE ARTICLE + D1
DIMMING	DALI / DALI 2	CODE ARTICLE + DD
QUICK CONNECTOR IP68 TECHN		CODE ARTICLE + THB
OVERVOLTAGE PROTECTION FOR VOLTAGES HIGHER THAN 10KV		ON REQUEST
DOUBLE INSULATION CLASS II		ON REQUEST
POWER SUPPLY SEPARATE FROM THE BODY		ON REQUEST

ARTICLES

CODE	KELVIN DEGREES	ANG.	LUMEN		METEL
			RATED LUMES	REAL OUTPUT	
SYMMETRICAL					
BGSHP17680020C	3000 K	25°	159196	148276	BIG176000 PROIET.800W 25°230V 3000K IP66
BGSHP17680040C	3000 K	40°	159196	145368	BIG176000 PROIET.800W 40°230V 3000K IP66
BGSHP17680060C	3000 K	60°	159196	142520	BIG176000 PROIET.800W 60°230V 3000K IP66
BGSHP17680020N	4000 K	25°	174376	156108	BIG176000 PROIET.800W 25°230V 4000K IP66
BGSHP17680040N	4000 K	40°	170956	153048	BIG176000 PROIET.800W 40°230V 4000K IP66
BGSHP17680060N	4000 K	60°	167604	150048	BIG176000 PROIET.800W 60°230V 4000K IP66
BGSHP17680020F	5500 K	25°	175972	163884	BIG176000 PROIET.800W 25°230V 5500K IP66
BGSHP17680040F	5500 K	40°	175972	160672	BIG176000 PROIET.800W 40°230V 5500K IP66
BGSHP17680060F	5500 K	60°	175972	157520	BIG176000 PROIET.800W 60°230V 5500K IP66
ASYMMETRICAL					
BGSHP176800AC	3000 K	DIFF 65°	159196	139668	BIG176000 PR.800W A.DIF.65°230V 3000K IP66
BGSHP176800AN	4000 K	DIFF 65°	164252	147044	BIG176000 PR.800W A.DIF.65°230V 4000K IP66
BGSHP176800AF	5500 K	DIFF 65°	175972	154368	BIG176000 PR.800W A.DIF.65°230V 5500K IP66

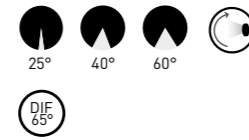
BIG ARENA HP 198000 NEW

BIG

High-performance outdoor floodlight with a multichip optical system to enhance light distribution and ensure high efficiency and reliability. Two modules adjustable with a tilt of +/- 30° on the horizontal axis of the module itself, for a better distribution of light through the aiming points. The body features improved aerodynamic resistance, passivated, and coated with high-strength epoxy paints, stainless steel hardware, and a goniometric system for precise adjustment of the light beam. Produced with a quality guarantee over time: Infinity Life.



BEAM ANGLE



MAX. BRIGHTNESS

184370 LM
REAL LUMES

197968 LM
RATED LUMES

CONTROLLED LIGHT FLOW



PRODUCT PLUS

VIRTUAL MIDNIGHT

Upon request, an efficient solution based on intelligent technologies to reduce consumption by using only the light that is needed, when needed. Management and maintenance costs are not required.

POWER SUPPLY SEPARATE FROM THE BODY

Available with a separate power supply to enhance reliability and expedite maintenance by simplifying the process.

HIGH EFFICIENCY LUMEN WATT

High-performance system with maximised efficiency to ensure low running costs with high reliability.

INFINITY LIFE

The Infinity Life program ensures that the product can be regenerated, refurbished, and updated over the years, following the evolution of new technologies, making it an investment for the future.

RELIABLE AND DURABLE

Stainless steel hardware. Passivated body and painted with epoxy powders with high resistance tested to salt spray mists, also suitable for use in marine environments.

MULTI-CHIP OPTICAL SYSTEM

For controlled light beam distribution and high efficiency.

SUITABLE FOR APPROVED SPORTS INSTALLATIONS

Conforms to the highest quality standards to comply with lighting regulations and requirements. F.I.G.C. - F.I.T. - F.I.N. - F.I.P. (ITALIAN STANDARDS)

DOUBLE INSULATION CLASS II

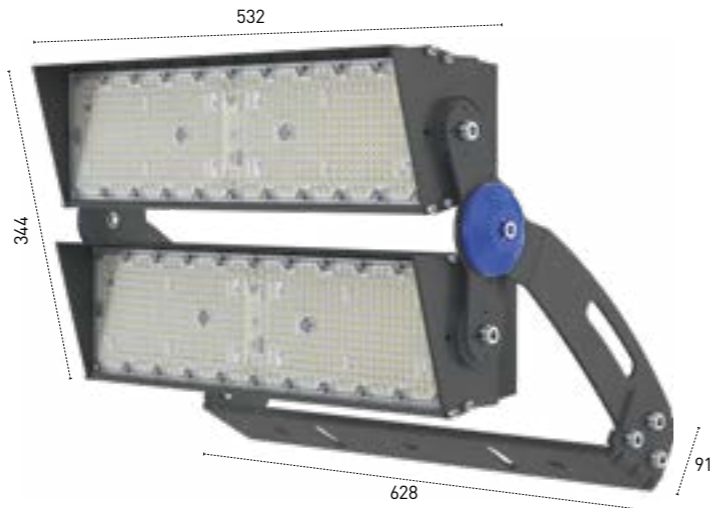
On request in double insulation class for installation without earthing.

SURGE PROTECTION

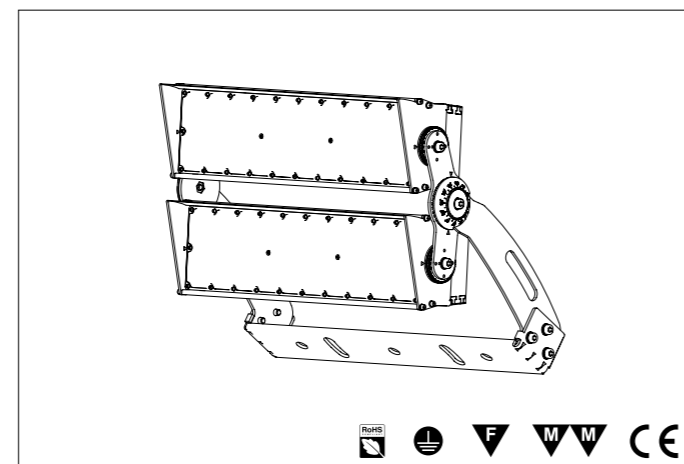
Equipped with surge protection in accordance with IEC 61643-11:2011: CLASS III and CLASS II.

ON DEMAND DIMMABLE DALI / DALI 2 / 1-10

Ideal for adapting to all lighting technology and efficiency requirements.



CONSUMPTION POWER SUPPLY



BIG

BIG ARENA HP 198000 NEW

GENERAL FEATURES

DEGREE OF PROTECTION	IP66
IK	08
WEIGHT	16000 G

LIGHTING FEATURES

LED TYPE	3030 TYF
CHROME YIELD	80
RG	0 ETHR
FLUX MAINTENANCE	90% 100000HR (L90B10)
INITIAL CHROMATICITY	SDCM <3
TOLLER. LUMINOUS FLUX	+/- 7%

ELECTRICAL CHARACTERISTICS

WATT	900
TOLERANCE CONSUMPTION	+/- 10%
LIGHT SOURCES	1232
POWER SUPPLY	230 V

ELECTRICAL CHARACTERISTICS

DIMMABLE	NO
POWER FACTOR	0,9
MAINTENANCE INDEX	0,9

MATERIAL FINISHES

BODY	DIE-CAST ALUMINIUM PASSIVATED EPOXY POWDER COATED
FINISH	RAL9023
SCREEN	POLYMETHYL METHACRYLATE
CABLE	1500MM 3X1,00 NEOPRENE
CABLE GLAND	NICKEL-PLATED BRASS

TEMPERATURES

STORAGE	-35°C TO +80°C
OPERATING	-35°C TO +50°C

RELIABILITY

UP TO 7 YEARS WARRANTY

RECYCLABILITY

95%

CUSTOMIZATION

CABLE	LENGTH IN CM
The dimensions and type of cable may be different from the standard	
DIMMING	DALI / DALI 2
QUICK CONNECTOR IP68 TECHN	
OVERVOLTAGE PROTECTION FOR VOLTAGES HIGHER THAN 10KV	
DOUBLE INSULATION CLASS II	
POWER SUPPLY SEPARATE FROM THE BODY	

CODE TO DIAL

CODE ARTICLE + C + CM TOT
CODE ARTICLE + D1
CODE ARTICLE + DD
CODE ARTICLE + THB
ON REQUEST
ON REQUEST
ON REQUEST

ARTICLES

CODE	KELVIN DEGREES	ANG.	LUMEN		METEL
			RATED LUMES	REAL OUTPUT	
SYMMETRICAL					
BGSHP19890020C	3000 K	25°	179096	166810	BIG198000 PROIET.900W 25°230V 3000K IP66
BGSHP19890040C	3000 K	40°	179096	163540	BIG198000 PROIET.900W 40°230V 3000K IP66
BGSHP19890060C	3000 K	60°	179096	160336	BIG198000 PROIET.900W 60°230V 3000K IP66
BGSHP19890020N	4000 K	25°	196174	175622	BIG198000 PROIET.900W 25°230V 4000K IP66
BGSHP19890040N	4000 K	40°	192326	172180	BIG198000 PROIET.900W 40°230V 4000K IP66
BGSHP19890060N	4000 K	60°	188554	168804	BIG198000 PROIET.900W 60°230V 4000K IP66
BGSHP19890020F	5500 K	25°	197968	184370	BIG198000 PROIET.900W 25°230V 5500K IP66
BGSHP19890040F	5500 K	40°	197968	180756	BIG198000 PROIET.900W 40°230V 5500K IP66
BGSHP19890060F	5500 K	60°	197968	177210	BIG198000 PROIET.900W 60°230V 5500K IP66
ASYMMETRICAL					
BGSHP198900AC	3000 K	DIFF 65°	179096	157126	BIG198000 PR.900W A.DIF.65°230V 3000K IP66
BGSHP198900AN	4000 K	DIFF 65°	184784	165424	BIG198000 PR.900W A.DIF.65°230V 4000K IP66
BGSHP198900AF	5500 K	DIFF 65°	197968	173664	BIG198000 PR.900W A.DIF.65°230V 5500K IP66

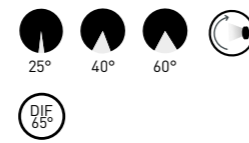
BIG ARENA HP 220000 NEW

BIG

High-performance outdoor floodlight with a multichip optical system to enhance light distribution and ensure high efficiency and reliability. Two modules adjustable with a tilt of +/- 30° on the horizontal axis of the module itself, for a better distribution of light through the aiming points. The body features improved aerodynamic resistance, passivated, and coated with high-strength epoxy paints, stainless steel hardware, and a goniometric system for precise adjustment of the light beam. Produced with a quality guarantee over time: Infinity Life.



BEAM ANGLE



MAX. BRIGHTNESS

204836 LM REAL LUMES
219942 LM RATED LUMES

CONTROLLED LIGHT FLOW



PRODUCT PLUS

VIRTUAL MIDNIGHT
Upon request, an efficient solution based on intelligent technologies to reduce consumption by using only the light that is needed, when needed. Management and maintenance costs are not required.

POWER SUPPLY SEPARATE FROM THE BODY
Available with a separate power supply to enhance reliability and expedite maintenance by simplifying the process.

HIGH EFFICIENCY LUMEN WATT
High-performance system with maximised efficiency to ensure low running costs with high reliability.

INFINITY LIFE
The Infinity Life program ensures that the product can be regenerated, refurbished, and updated over the years, following the evolution of new technologies, making it an investment for the future.

RELIABLE AND DURABLE
Stainless steel hardware. Passivated body and painted with epoxy powders with high resistance tested to salt spray mists, also suitable for use in marine environments.

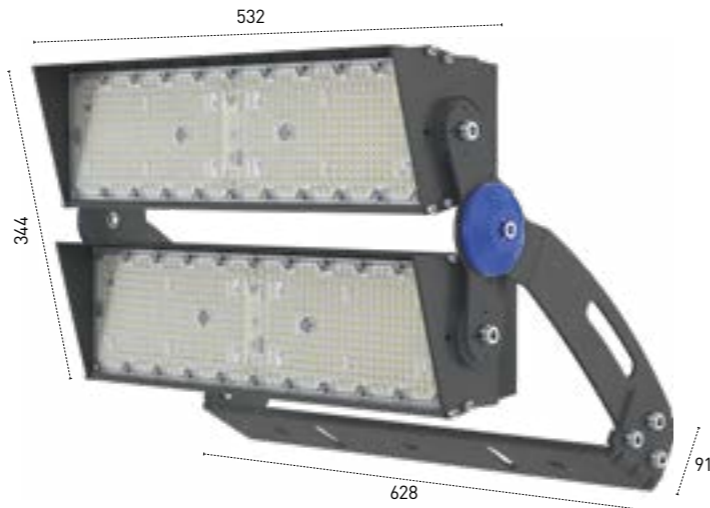
MULTI-CHIP OPTICAL SYSTEM
For controlled light beam distribution and high efficiency.

SUITABLE FOR APPROVED SPORTS INSTALLATIONS
Conforms to the highest quality standards to comply with lighting regulations and requirements. F.I.G.C. - F.I.T. - F.I.N. - F.I.P. (ITALIAN STANDARDS)

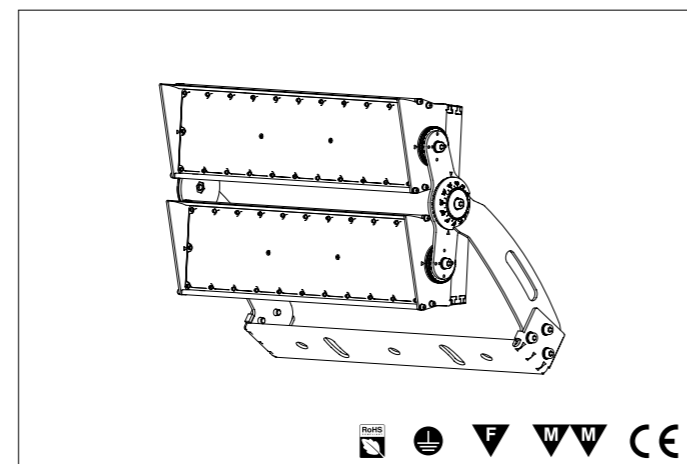
DOUBLE INSULATION CLASS II
On request in double insulation class for installation without earthing.

SURGE PROTECTION
Equipped with surge protection in accordance with IEC 61643-11:2011: CLASS III and CLASS II.

ON DEMAND DIMMABLE DALI / DALI 2 / 1-10
Ideal for adapting to all lighting technology and efficiency requirements.



CONSUMPTION POWER SUPPLY



BIG

BIG ARENA HP 220000 NEW

GENERAL FEATURES	
DEGREE OF PROTECTION	IP66
IK	08
WEIGHT	16000 G
LIGHTING FEATURES	
LED TYPE	3030 TYF
CHROME YIELD	80
RG	0 ETHR
FLUX MAINTENANCE	90% 100000HR (L90B10)
INITIAL CHROMATICITY	SDCM <3
TOLLER. LUMINOUS FLUX	+/- 7%
ELECTRICAL CHARACTERISTICS	
WATT	1000
TOLERANCE CONSUMPTION	+/- 10%
LIGHT SOURCES	1232
POWER SUPPLY	230 V

ELECTRICAL CHARACTERISTICS	
DIMMABLE	NO
POWER FACTOR	0,9
MAINTENANCE INDEX	0,9
MATERIAL FINISHES	
BODY	DIE-CAST ALUMINIUM PASSIVATED EPOXY POWDER COATED
FINISH	RAL9023
SCREEN	POLYMETHYL METHACRYLATE
CABLE	1500MM 3X1,00 NEOPRENE
CABLE GLAND	NICKEL-PLATED BRASS
TEMPERATURES	
STORAGE	-35°C TO +80°C
OPERATING	-35°C TO +50°C
RELIABILITY	UP TO 7 YEARS WARRANTY
RECYCLABILITY	95%

CUSTOMIZATION	CODE TO DIAL
CABLE The dimensions and type of cable may be different from the standard	LENGTH IN CM CODE ARTICLE + C + CM TOT
	1-10 CODE ARTICLE + D1
DIMMING	DALI / DALI 2 CODE ARTICLE + DD
QUICK CONNECTOR IP68 TECHN	CODE ARTICLE + THB
OVERVOLTAGE PROTECTION FOR VOLTAGES HIGHER THAN 10KV	ON REQUEST
DOUBLE INSULATION CLASS II	ON REQUEST
POWER SUPPLY SEPARATE FROM THE BODY	ON REQUEST

ARTICLES

CODE	KELVIN DEGREES	ANG.	LUMEN		METEL
			RATED LUMES	REAL OUTPUT	
SYMMETRICAL					
BGSH220100020C	3000 K	25°	198976	185326	BIG220000 PROIET.1000W 25°230V 3000K IP66
BGSH220100040C	3000 K	40°	198976	181692	BIG220000 PROIET.1000W 40°230V 3000K IP66
BGSH220100060C	3000 K	60°	198976	178134	BIG220000 PROIET.1000W 60°230V 3000K IP66
BGSH220100020N	4000 K	25°	217950	195116	BIG220000 PROIET.1000W 25°230V 4000K IP66
BGSH220100040N	4000 K	40°	213674	191292	BIG220000 PROIET.1000W 40°230V 4000K IP66
BGSH220100060N	4000 K	60°	209484	187542	BIG220000 PROIET.1000W 60°230V 4000K IP66
BGSH220100020F	5500 K	25°	219942	204836	BIG220000 PROIET.1000W 25°230V 5500K IP66
BGSH220100040F	5500 K	40°	219942	200820	BIG220000 PROIET.1000W 40°230V 5500K IP66
BGSH220100060F	5500 K	60°	219942	196880	BIG220000 PROIET.1000W 60°230V 5500K IP66
ASYMMETRICAL					
BGSH2201000AC	3000 K	DIFF 65°	198976	174566	BIG220000 PR.1000W A.DIF.65°230V 3000K IP66
BGSH2201000AN	4000 K	DIFF 65°	205296	183786	BIG220000 PR.1000W A.DIF.65°230V 4000K IP66
BGSH2201000AF	5500 K	DIFF 65°	219942	192940	BIG220000 PR.1000W A.DIF.65°230V 5500K IP66

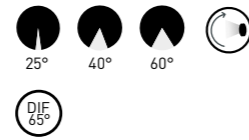
BIG ARENA HP 242000 NEW

BIG

High-performance outdoor floodlight with a multichip optical system to enhance light distribution and ensure high efficiency and reliability. Three modules adjustable with a tilt of +/- 30° on the horizontal axis of the module itself, for a better distribution of light through the aiming points. The body features improved aerodynamic resistance, passivated, and coated with high-strength epoxy paints, stainless steel hardware, and a goniometric system for precise adjustment of the light beam. Produced with a quality guarantee over time: Infinity Life.



BEAM ANGLE



MAX. BRIGHTNESS

225700 LM
REAL LUMES

242348 LM
RATED LUMES

CONTROLLED LIGHT FLOW



PRODUCT PLUS

VIRTUAL MIDNIGHT
Upon request, an efficient solution based on intelligent technologies to reduce consumption by using only the light that is needed, when needed. Management and maintenance costs are not required.

POWER SUPPLY SEPARATE FROM THE BODY
Available with a separate power supply to enhance reliability and expedite maintenance by simplifying the process.

HP
HIGH EFFICIENCY LUMEN WATT
High-performance system with maximised efficiency to ensure low running costs with high reliability.

INFINITY LIFE
The Infinity Life program ensures that the product can be regenerated, refurbished, and updated over the years, following the evolution of new technologies, making it an investment for the future.

RELIABLE AND DURABLE
Stainless steel hardware. Passivated body and painted with epoxy powders with high resistance tested to salt spray mists, also suitable for use in marine environments.

MULTI-CHIP OPTICAL SYSTEM
For controlled light beam distribution and high efficiency.

SUITABLE FOR APPROVED SPORTS INSTALLATIONS
Conforms to the highest quality standards to comply with lighting regulations and requirements. F.I.G.C. - F.I.T. - F.I.N. - F.I.P. (ITALIAN STANDARDS)

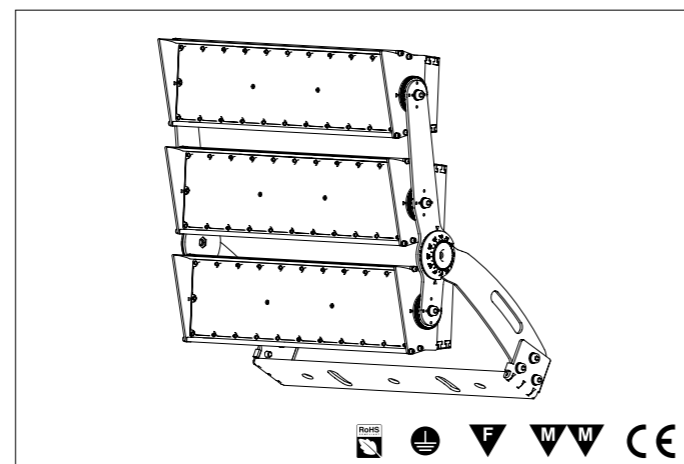
DOUBLE INSULATION CLASS II
On request in double insulation class for installation without earthing.

10 kV
SURGE PROTECTION
Equipped with surge protection in accordance with IEC 61643-11:2011: CLASS III and CLASS II.

DALI
1-10 V
ON DEMAND DIMMABLE DALI / DALI 2 / 1-10
Ideal for adapting to all lighting technology and efficiency requirements.



CONSUMPTION POWER SUPPLY



BIG

NEW BIG ARENA HP 242000

GENERAL FEATURES	
DEGREE OF PROTECTION	IP66
IK	08
WEIGHT	23500 G
LIGHTING FEATURES	
LED TYPE	3030 TYF
CHROME YIELD	80
RG	0 ETHR
FLUX MAINTENANCE	90% 100000HR (L90B10)
INITIAL CHROMATICITY	SDCM <3
TOLLER. LUMINOUS FLUX	+/- 7%
ELECTRICAL CHARACTERISTICS	
WATT	1100
TOLERANCE CONSUMPTION	+/- 10%
LIGHT SOURCES	1848
POWER SUPPLY	230 V

ELECTRICAL CHARACTERISTICS	
DIMMABLE	NO
POWER FACTOR	0,9
MAINTENANCE INDEX	0,9
MATERIAL FINISHES	
BODY	DIE-CAST ALUMINIUM PASSIVATED EPOXY POWDER COATED
FINISH	RAL9023
SCREEN	POLYMETHYL METHACRYLATE
CABLE	1500MM 3X1,00 NEOPRENE
CABLE GLAND	NICKEL-PLATED BRASS
TEMPERATURES	
STORAGE	-35°C TO +80°C
OPERATING	-35°C TO +50°C
RELIABILITY	UP TO 7 YEARS WARRANTY
RECYCLABILITY	95%

CUSTOMIZATION	CODE TO DIAL
CABLE The dimensions and type of cable may be different from the standard	LENGTH IN CM CODE ARTICLE + C + CM TOT
DIMMING	1-10 DALI / DALI 2 CODE ARTICLE + D1 CODE ARTICLE + DD
QUICK CONNECTOR IP68 TECHN	CODE ARTICLE + THB
OVERVOLTAGE PROTECTION FOR VOLTAGES HIGHER THAN 10KV	ON REQUEST
DOUBLE INSULATION CLASS II	ON REQUEST
POWER SUPPLY SEPARATE FROM THE BODY	ON REQUEST

ARTICLES

CODE	KELVIN DEGREES	ANG.	LUMEN		METEL
			RATED LUMES	REAL OUTPUT	
SYMMETRICAL					
BGSHHP242110020C	3000 K	25°	219247	204207	BIG242000 PROIET.1100W 25°230V 3000K IP66
BGSHHP242110040C	3000 K	40°	219247	200203	BIG242000 PROIET.1100W 40°230V 3000K IP66
BGSHHP242110060C	3000 K	60°	219247	196278	BIG242000 PROIET.1100W 60°230V 3000K IP66
BGSHHP242110020N	4000 K	25°	240150	214993	BIG242000 PROIET.1100W 25°230V 4000K IP66
BGSHHP242110040N	4000 K	40°	235443	210779	BIG242000 PROIET.1100W 40°230V 4000K IP66
BGSHHP242110060N	4000 K	60°	230828	206647	BIG242000 PROIET.1100W 60°230V 4000K IP66
BGSHHP242110020F	5500 K	25°	242348	225700	BIG242000 PROIET.1100W 25°230V 5500K IP66
BGSHHP242110040F	5500 K	40°	242348	221279	BIG242000 PROIET.1100W 40°230V 5500K IP66
BGSHHP242110060F	5500 K	60°	242348	216939	BIG242000 PROIET.1100W 60°230V 5500K IP66
ASYMMETRICAL					
BGSHHP2421100AC	3000 K	DIFF 65°	219247	192350	BIG242000 PR.1100W A.DIF.65°230V 3000K IP66
BGSHHP2421100AN	4000 K	DIFF 65°	226209	202511	BIG242000 PR.1100W A.DIF.65°230V 4000K IP66
BGSHHP2421100AF	5500 K	DIFF 65°	242348	212600	BIG242000 PR.1100W A.DIF.65°230V 5500K IP66

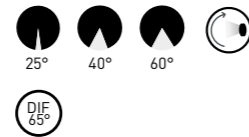
BIG ARENA HP 274000 NEW

BIG

High-performance outdoor floodlight with a multichip optical system to enhance light distribution and ensure high efficiency and reliability. Three modules adjustable with a tilt of +/- 30° on the horizontal axis of the module itself, for a better distribution of light through the aiming points. The body features improved aerodynamic resistance, passivated, and coated with high-strength epoxy paints, stainless steel hardware, and a goniometric system for precise adjustment of the light beam. Produced with a quality guarantee over time: Infinity Life.



BEAM ANGLE



MAX. BRIGHTNESS

250648 LM
REAL LUMES

274516 LM
RATED LUMES

CONTROLLED LIGHT FLOW



PRODUCT PLUS

VIRTUAL MIDNIGHT
Upon request, an efficient solution based on intelligent technologies to reduce consumption by using only the light that is needed, when needed. Management and maintenance costs are not required.

POWER SUPPLY SEPARATE FROM THE BODY
Available with a separate power supply to enhance reliability and expedite maintenance by simplifying the process.

HP HIGH EFFICIENCY LUMEN WATT
High-performance system with maximised efficiency to ensure low running costs with high reliability.

INFINITY LIFE
The Infinity Life program ensures that the product can be regenerated, refurbished, and updated over the years, following the evolution of new technologies, making it an investment for the future.

RELIABLE AND DURABLE
Stainless steel hardware. Passivated body and painted with epoxy powders with high resistance tested to salt spray mists, also suitable for use in marine environments.

MULTI-CHIP OPTICAL SYSTEM
For controlled light beam distribution and high efficiency.

SUITABLE FOR APPROVED SPORTS INSTALLATIONS
Conforms to the highest quality standards to comply with lighting regulations and requirements. F.I.G.C. - F.I.T. - F.I.N. - F.I.P. (ITALIAN STANDARDS)

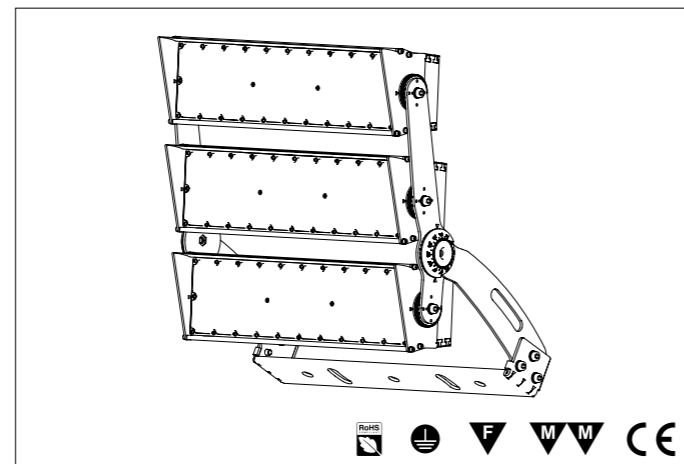
DOUBLE INSULATION CLASS II
On request in double insulation class for installation without earthing.

10 kV SURGE PROTECTION
Equipped with surge protection in accordance with IEC 61643-11:2011: CLASS III and CLASS II.

DALI 1-10V ON DEMAND DIMMABLE DALI / DALI 2 / 1-10
Ideal for adapting to all lighting technology and efficiency requirements.



CONSUMPTION POWER SUPPLY



BIG

NEW BIG ARENA HP 274000

GENERAL FEATURES	
DEGREE OF PROTECTION	IP66
IK	08
WEIGHT	23500 G
LIGHTING FEATURES	
LED TYPE	3030 TYF
CHROME YIELD	80
RG	0 ETHR
FLUX MAINTENANCE	90% 100000HR (L90B10)
INITIAL CHROMATICITY	SDCM <3
TOLLER. LUMINOUS FLUX	+/- 7%
ELECTRICAL CHARACTERISTICS	
WATT	1250
TOLERANCE CONSUMPTION	+/- 10%
LIGHT SOURCES	1848
POWER SUPPLY	230 V

ELECTRICAL CHARACTERISTICS	
DIMMABLE	NO
POWER FACTOR	0,9
MAINTENANCE INDEX	0,9
MATERIAL FINISHES	
BODY	DIE-CAST ALUMINIUM PASSIVATED EPOXY POWDER COATED
FINISH	RAL9023
SCREEN	POLYMETHYL METHACRYLATE
CABLE	1500MM 3X1,00 NEOPRENE
CABLE GLAND	NICKEL-PLATED BRASS
TEMPERATURES	
STORAGE	-35°C TO +80°C
OPERATING	-35°C TO +50°C
RELIABILITY	UP TO 7 YEARS WARRANTY
RECYCLABILITY	95%

CUSTOMIZATION	CODE TO DIAL
CABLE The dimensions and type of cable may be different from the standard	LENGTH IN CM CODE ARTICLE + C + CM TOT
DIMMING	1-10 CODE ARTICLE + D1
QUICK CONNECTOR IP68 TECHN	DALI / DALI 2 CODE ARTICLE + DD
OVERVOLTAGE PROTECTION FOR VOLTAGES HIGHER THAN 10KV	CODE ARTICLE + THB
DOUBLE INSULATION CLASS II	ON REQUEST
POWER SUPPLY SEPARATE FROM THE BODY	ON REQUEST

ARTICLES

CODE	KELVIN DEGREES	ANG.	LUMEN		METEL
			RATED LUMES	REAL OUTPUT	
SYMMETRICAL					
BGSH274125020C	3000 K	25°	248346	231311	BIG274000 PROIET.1250W 25°230V 3000K IP66
BGSH274125040C	3000 K	40°	248346	226774	BIG274000 PROIET.1250W 40°230V 3000K IP66
BGSH274125060C	3000 K	60°	248346	222331	BIG274000 PROIET.1250W 60°230V 3000K IP66
BGSH274125020N	4000 K	25°	272027	243528	BIG274000 PROIET.1250W 25°230V 4000K IP66
BGSH274125040N	4000 K	40°	266691	238755	BIG274000 PROIET.1250W 40°230V 4000K IP66
BGSH274125060N	4000 K	60°	261462	234075	BIG274000 PROIET.1250W 60°230V 4000K IP66
BGSH274125020F	5500 K	25°	274516	255659	BIG274000 PROIET.1250W 25°230V 5500K IP66
BGSH274125040F	5500 K	40°	274516	250648	BIG274000 PROIET.1250W 40°230V 5500K IP66
BGSH274125060F	5500 K	60°	274516	245731	BIG274000 PROIET.1250W 60°230V 5500K IP66
ASYMMETRICAL					
BGSH2741250AC	3000 K	DIFF 65°	248346	217882	BIG274000 PR.1250W A.DIF.65°230V 3000K IP66
BGSH2741250AN	4000 K	DIFF 65°	256233	229389	BIG274000 PR.1250W A.DIF.65°230V 4000K IP66
BGSH2741250AF	5500 K	DIFF 65°	274516	240814	BIG274000 PR.1250W A.DIF.65°230V 5500K IP66

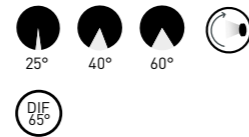
BIG ARENA HP 297000 NEW

BIG

High-performance outdoor floodlight with a multichip optical system to enhance light distribution and ensure high efficiency and reliability. Three modules adjustable with a tilt of +/- 30° on the horizontal axis of the module itself, for a better distribution of light through the aiming points. The body features improved aerodynamic resistance, passivated, and coated with high-strength epoxy paints, stainless steel hardware, and a goniometric system for precise adjustment of the light beam. Produced with a quality guarantee over time: Infinity Life.



BEAM ANGLE



MAX. BRIGHTNESS

276555 LM
REAL LUMES

296952 LM
RATED LUMES

CONTROLLED LIGHT FLOW



PRODUCT PLUS

VIRTUAL MIDNIGHT
Upon request, an efficient solution based on intelligent technologies to reduce consumption by using only the light that is needed, when needed. Management and maintenance costs are not required.

POWER SUPPLY SEPARATE FROM THE BODY
Available with a separate power supply to enhance reliability and expedite maintenance by simplifying the process.

HP
HIGH EFFICIENCY LUMEN WATT
High-performance system with maximised efficiency to ensure low running costs with high reliability.

INFINITY LIFE
The Infinity Life program ensures that the product can be regenerated, refurbished, and updated over the years, following the evolution of new technologies, making it an investment for the future.

RELIABLE AND DURABLE
Stainless steel hardware. Passivated body and painted with epoxy powders with high resistance tested to salt spray mists, also suitable for use in marine environments.

MULTI-CHIP OPTICAL SYSTEM
For controlled light beam distribution and high efficiency.

SUITABLE FOR APPROVED SPORTS INSTALLATIONS
Conforms to the highest quality standards to comply with lighting regulations and requirements. F.I.G.C. - F.I.T. - F.I.N. - F.I.P. (ITALIAN STANDARDS)

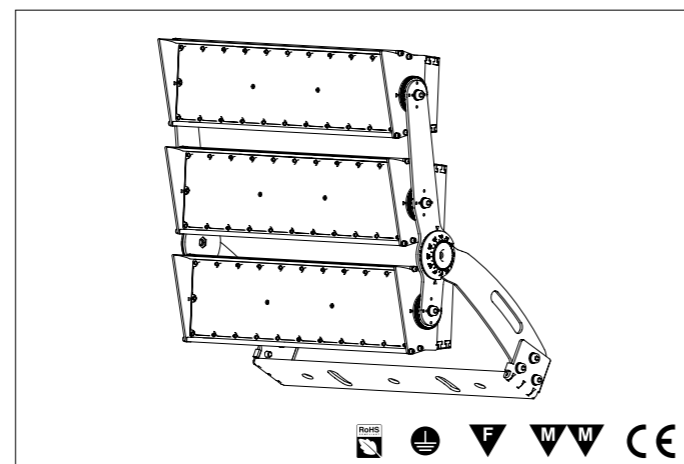
DOUBLE INSULATION CLASS II
On request in double insulation class for installation without earthing.

10 kV
SURGE PROTECTION
Equipped with surge protection in accordance with IEC 61643-11:2011: CLASS III and CLASS II.

DALI 1-10 V
ON DEMAND DIMMABLE DALI / DALI 2 / 1-10
Ideal for adapting to all lighting technology and efficiency requirements.



CONSUMPTION POWER SUPPLY



BIG

NEW BIG ARENA HP 297000

GENERAL FEATURES	
DEGREE OF PROTECTION	IP66
IK	08
WEIGHT	23500 G
LIGHTING FEATURES	
LED TYPE	3030 TYF
CHROME YIELD	80
RG	0 ETHR
FLUX MAINTENANCE	90% 100000HR (L90B10)
INITIAL CHROMATICITY	SDCM <3
TOLLER. LUMINOUS FLUX	+/- 7%
ELECTRICAL CHARACTERISTICS	
WATT	1350
TOLERANCE CONSUMPTION	+/- 10%
LIGHT SOURCES	1848
POWER SUPPLY	230 V

ELECTRICAL CHARACTERISTICS	
DIMMABLE	NO
POWER FACTOR	0,9
MAINTENANCE INDEX	0,9
MATERIAL FINISHES	
BODY	DIE-CAST ALUMINIUM PASSIVATED EPOXY POWDER COATED
FINISH	RAL9023
SCREEN	POLYMETHYL METHACRYLATE
CABLE	1500MM 3X1,00 NEOPRENE
CABLE GLAND	NICKEL-PLATED BRASS
TEMPERATURES	
STORAGE	-35°C TO +80°C
OPERATING	-35°C TO +50°C
RELIABILITY	UP TO 7 YEARS WARRANTY
RECYCLABILITY	95%

CUSTOMIZATION	CODE TO DIAL
CABLE The dimensions and type of cable may be different from the standard	LENGTH IN CM CODE ARTICLE + C + CM TOT
DIMMING	1-10 DALI / DALI 2 CODE ARTICLE + D1 CODE ARTICLE + DD
QUICK CONNECTOR IP68 TECHNO	CODE ARTICLE + THB
OVERVOLTAGE PROTECTION FOR VOLTAGES HIGHER THAN 10KV	ON REQUEST
DOUBLE INSULATION CLASS II	ON REQUEST
POWER SUPPLY SEPARATE FROM THE BODY	ON REQUEST

ARTICLES

CODE	KELVIN DEGREES	ANG.	LUMEN		METEL
			RATED LUMES	REAL OUTPUT	
SYMMETRICAL					
BGSH2971350020C	3000 K	25°	268644	250215	BIG297000 PROIET.1350W 25°230V 3000K IP66
BGSH2971350040C	3000 K	40°	268644	245310	BIG297000 PROIET.1350W 40°230V 3000K IP66
BGSH2971350060C	3000 K	60°	268644	240504	BIG297000 PROIET.1350W 60°230V 3000K IP66
BGSH2971350020N	4000 K	25°	294261	263433	BIG297000 PROIET.1350W 25°230V 4000K IP66
BGSH2971350040N	4000 K	40°	288489	258270	BIG297000 PROIET.1350W 40°230V 4000K IP66
BGSH2971350060N	4000 K	60°	282831	253206	BIG297000 PROIET.1350W 60°230V 4000K IP66
BGSH2971350020F	5500 K	25°	296952	276555	BIG297000 PROIET.1350W 25°230V 5500K IP66
BGSH2971350040F	5500 K	40°	296952	271134	BIG297000 PROIET.1350W 40°230V 5500K IP66
BGSH2971350060F	5500 K	60°	296952	265815	BIG297000 PROIET.1350W 60°230V 5500K IP66
ASYMMETRICAL					
BGSH29713500AC	3000 K	DIFF 65°	268644	235689	BIG297000 PR.1350W A.DIF.65°230V 3000K IP66
BGSH29713500AN	4000 K	DIFF 65°	277176	248136	BIG297000 PR.1350W A.DIF.65°230V 4000K IP66
BGSH29713500AF	5500 K	DIFF 65°	296952	260496	BIG297000 PR.1350W A.DIF.65°230V 5500K IP66

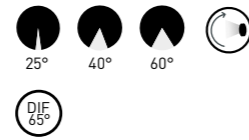
BIG ARENA HP 330000 NEW

BIG

High-performance outdoor floodlight with a multichip optical system to enhance light distribution and ensure high efficiency and reliability. Three modules adjustable with a tilt of +/- 30° on the horizontal axis of the module itself, for a better distribution of light through the aiming points. The body features improved aerodynamic resistance, passivated, and coated with high-strength epoxy paints, stainless steel hardware, and a goniometric system for precise adjustment of the light beam. Produced with a quality guarantee over time: Infinity Life.



BEAM ANGLE



MAX. BRIGHTNESS

307254 LM
REAL LUMES

329913 LM
RATED LUMES

CONTROLLED LIGHT FLOW



PRODUCT PLUS

VIRTUAL MIDNIGHT
Upon request, an efficient solution based on intelligent technologies to reduce consumption by using only the light that is needed, when needed. Management and maintenance costs are not required.

POWER SUPPLY SEPARATE FROM THE BODY
Available with a separate power supply to enhance reliability and expedite maintenance by simplifying the process.

HIGH EFFICIENCY LUMEN WATT
High-performance system with maximised efficiency to ensure low running costs with high reliability.

INFINITY LIFE
The Infinity Life program ensures that the product can be regenerated, refurbished, and updated over the years, following the evolution of new technologies, making it an investment for the future.

RELIABLE AND DURABLE
Stainless steel hardware. Passivated body and painted with epoxy powders with high resistance tested to salt spray mists, also suitable for use in marine environments.

MULTI-CHIP OPTICAL SYSTEM
For controlled light beam distribution and high efficiency.

SUITABLE FOR APPROVED SPORTS INSTALLATIONS
Conforms to the highest quality standards to comply with lighting regulations and requirements. F.I.G.C. - F.I.T. - F.I.N. - F.I.P. (ITALIAN STANDARDS)

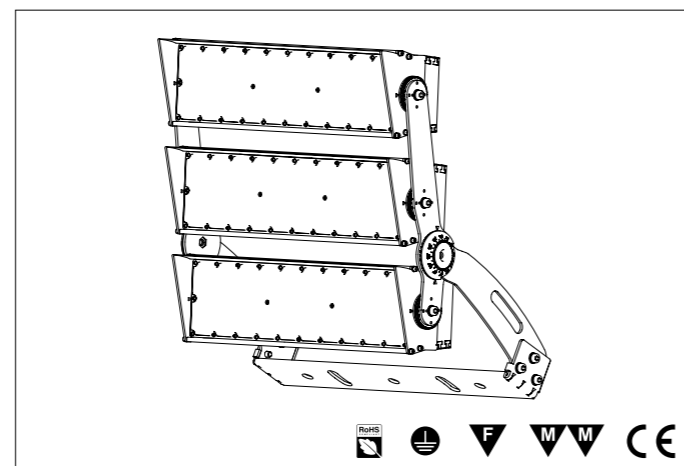
DOUBLE INSULATION CLASS II
On request in double insulation class for installation without earthing.

SURGE PROTECTION
Equipped with surge protection in accordance with IEC 61643-11:2011: CLASS III and CLASS II.

ON DEMAND DIMMABLE DALI / DALI 2 / 1-10
Ideal for adapting to all lighting technology and efficiency requirements.



CONSUMPTION POWER SUPPLY



BIG

NEW BIG ARENA HP 330000

GENERAL FEATURES	
DEGREE OF PROTECTION	IP66
IK	08
WEIGHT	23500 G
LIGHTING FEATURES	
LED TYPE	3030 TYF
CHROME YIELD	80
RG	0 ETHR
FLUX MAINTENANCE	90% 100000HR (L90B10)
INITIAL CHROMATICITY	SDCM <3
TOLLER. LUMINOUS FLUX	+/- 7%
ELECTRICAL CHARACTERISTICS	
WATT	1500
TOLERANCE CONSUMPTION	+/- 10%
LIGHT SOURCES	1848
POWER SUPPLY	230 V

ELECTRICAL CHARACTERISTICS	
DIMMABLE	NO
POWER FACTOR	0,9
MAINTENANCE INDEX	0,9
MATERIAL FINISHES	
BODY	DIE-CAST ALUMINIUM PASSIVATED EPOXY POWDER COATED
FINISH	RAL9023
SCREEN	POLYMETHYL METHACRYLATE
CABLE	1500MM 3X1,00 NEOPRENE
CABLE GLAND	NICKEL-PLATED BRASS
TEMPERATURES	
STORAGE	-35°C TO +80°C
OPERATING	-35°C TO +50°C
RELIABILITY	UP TO 7 YEARS WARRANTY
RECYCLABILITY	95%

CUSTOMIZATION	CODE TO DIAL
CABLE The dimensions and type of cable may be different from the standard	LENGTH IN CM CODE ARTICLE + C + CM TOT
DIMMING	1-10 DALI / DALI 2 CODE ARTICLE + D1 CODE ARTICLE + DD
QUICK CONNECTOR IP68 TECHN	CODE ARTICLE + THB
OVERVOLTAGE PROTECTION FOR VOLTAGES HIGHER THAN 10KV	ON REQUEST
DOUBLE INSULATION CLASS II	ON REQUEST
POWER SUPPLY SEPARATE FROM THE BODY	ON REQUEST

ARTICLES

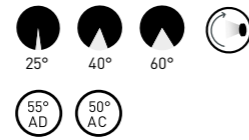
CODE	KELVIN DEGREES	ANG.	LUMEN		METEL
			RATED LUMES	REAL OUTPUT	
SYMMETRICAL					
BGSH330150020C	3000 K	25°	298464	277989	BIG330000 PROIET.1500W 25°230V 3000K IP66
BGSH330150040C	3000 K	40°	298464	272538	BIG330000 PROIET.1500W 40°230V 3000K IP66
BGSH330150060C	3000 K	60°	298464	267201	BIG330000 PROIET.1500W 60°230V 3000K IP66
BGSH330150020N	4000 K	25°	326925	292674	BIG330000 PROIET.1500W 25°230V 4000K IP66
BGSH330150040N	4000 K	40°	320511	286938	BIG330000 PROIET.1500W 40°230V 4000K IP66
BGSH330150060N	4000 K	60°	314226	281313	BIG330000 PROIET.1500W 60°230V 4000K IP66
BGSH330150020F	5500 K	25°	329913	307254	BIG330000 PROIET.1500W 25°230V 5500K IP66
BGSH330150040F	5500 K	40°	329913	301230	BIG330000 PROIET.1500W 40°230V 5500K IP66
BGSH330150060F	5500 K	60°	329913	295320	BIG330000 PROIET.1500W 60°230V 5500K IP66
ASYMMETRICAL					
BGSH3301500AC	3000 K	DIFF 65°	298464	261849	BIG330000 PR.1500W A.DIF.65°230V 3000K IP66
BGSH3301500AN	4000 K	DIFF 65°	307944	275679	BIG330000 PR.1500W A.DIF.65°230V 4000K IP66
BGSH3301500AF	5500 K	DIFF 65°	329913	289410	BIG330000 PR.1500W A.DIF.65°230V 5500K IP66

BIG ARENA 77000

High-performance outdoor two modules floodlight with a multichip optical system to enhance light distribution and ensure high efficiency and reliability. Three modules adjustable with a tilt of +/- 30° on the horizontal axis of the module itself, for a better distribution of light through the aiming points. The body features improved aerodynamic resistance, passivated, and coated with high-strength epoxy paints, stainless steel hardware, and a goniometric system for precise adjustment of the light beam. Produced with a quality guarantee over time: Infinity Life.



BEAM ANGLE



MAX. BRIGHTNESS

68194 LM
REAL LUMES

80083 LM
RATED LUMES



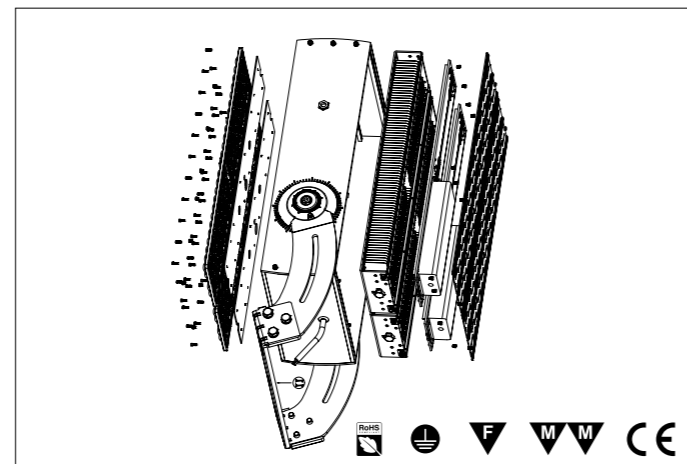
EQUIVALENT



CONSUMPTION



POWER SUPPLY



CONTROLLED LIGHT FLOW



PRODUCT PLUS

VIRTUAL MIDNIGHT

Upon request, an efficient solution based on intelligent technologies to reduce consumption by using only the light that is needed, when needed. Management and maintenance costs are not required.

POWER SUPPLY SEPARATE FROM THE BODY

Available with a separate power supply to enhance reliability and expedite maintenance by simplifying the process.

INFINTY LIFE

The Infinity Life program ensures that the product can be regenerated, refurbished, and updated over the years, following the evolution of new technologies, making it an investment for the future.

RELIABLE AND DURABLE

Stainless steel hardware. Passivated body and painted with epoxy powders with high resistance tested to salt spray mists, also suitable for use in marine environments.

MULTI-CHIP OPTICAL SYSTEM

For controlled light beam distribution and high efficiency.

SUITABLE FOR APPROVED SPORTS INSTALLATIONS

Conforms to the highest quality standards to comply with lighting regulations and requirements. F.I.G.C. - F.I.T. - F.I.N. - F.I.P. (ITALIAN STANDARDS)

DOUBLE INSULATION CLASS II

On request in double insulation class for installation without earthing.

SURGE PROTECTION

Equipped with surge protection in accordance with IEC 61643-11:2011: CLASS III and CLASS II.

ON DEMAND DIMMABLE DALI / DALI 2 / 1-10

Ideal for adapting to all lighting technology and efficiency requirements.

BIG

BIG

BIG ARENA 77000

GENERAL FEATURES

DEGREE OF PROTECTION	IP66
IK	08
WEIGHT	12000 G

LIGHTING FEATURES

LED TYPE	PHILIPS LUMILED
CHROME YIELD	80
RG	0 ETHR
FLUX MAINTENANCE	90% 100000HR (L90B10)
INITIAL CHROMATICITY	SDCM <3
TOLLER. LUMINOUS FLUX	+/- 7%

ELECTRICAL CHARACTERISTICS

WATT	420
TOLERANCE CONSUMPTION	+/- 10%
LIGHT SOURCES	240
POWER SUPPLY	230 V

ELECTRICAL CHARACTERISTICS

DIMMABLE	NO
POWER FACTOR	0,9
MAINTENANCE INDEX	0,9

MATERIAL FINISHES

BODY	DIE-CAST ALUMINIUM PASSIVATED EPOXY POWDER COATED
FINISH	RAL9023
SCREEN	POLYMETHYL METHACRYLATE
CABLE	1500MM 3X1,00 NEOPRENE
CABLE GLAND	NICKEL-PLATED BRASS

TEMPERATURES

STORAGE	-35°C TO +80°C
OPERATING	-35°C TO +50°C

RELIABILITY

UP TO 7 YEARS WARRANTY

RECYCLABILITY

95%

CUSTOMIZATION

CABLE	LENGTH IN CM
The dimensions and type of cable may be different from the standard	
DIMMING	DALI / DALI 2
QUICK CONNECTOR IP68 TECHNO	
OVERVOLTAGE PROTECTION FOR VOLTAGES HIGHER THAN 10KV	
DOUBLE INSULATION CLASS II	
POWER SUPPLY SEPARATE FROM THE BODY	

CODE TO DIAL

CODE ARTICLE + C + CM TOT
CODE ARTICLE + D1
CODE ARTICLE + DD
CODE ARTICLE + THB
ON REQUEST
ON REQUEST
ON REQUEST

ARTICLES

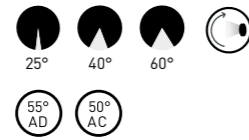
CODE	KELVIN DEGREES	ANG.	LUMEN		METEL
			RATED LUMES	REAL OUTPUT	
SYMMETRICAL					
BG7742020C	3000 K	25°	73922 LM	64117 LM	BIG77000 PROIETTORE 420W 25°230V 3000K IP66
BG7742040C	3000 K	40°	73922 LM	64117 LM	BIG77000 PROIETTORE 420W 40°230V 3000K IP66
BG7742060C	3000 K	60°	73922 LM	64117 LM	BIG77000 PROIETTORE 420W 60°230V 3000K IP66
BG7742020N	4000 K	25°	77003 LM	66110 LM	BIG77000 PROIETTORE 420W 25°230V 4000K IP66
BG7742040N	4000 K	40°	77003 LM	66110 LM	BIG77000 PROIETTORE 420W 40°230V 4000K IP66
BG7742060N	4000 K	60°	77003 LM	66110 LM	BIG77000 PROIETTORE 420W 60°230V 4000K IP66
BG7742020F	5500 K	25°	80083 LM	68194 LM	BIG77000 PROIETTORE 420W 25°230V 5500K IP66
BG7742040F	5500 K	40°	80083 LM	68194 LM	BIG77000 PROIETTORE 420W 40°230V 5500K IP66
BG7742060F	5500 K	60°	80083 LM	68194 LM	BIG77000 PROIETTORE 420W 60°230V 5500K IP66
ASYMMETRICAL					
BG77420D55C	3000 K	DIFF 55°	73922 LM	64117 LM	BIG77000 PR.420W AS.DIF.55°230V 3000K IP66
BG77420C50C	3000 K	CON 50°	73922 LM	64117 LM	BIG77000 PR.420W AS.CON.50°230V 3000K IP66
BG77420D55N	4000 K	DIFF 55°	77003 LM	66110 LM	BIG77000 PR.420W AS.DIF.55°230V 4000K IP66
BG77420C50N	4000 K	CON 50°	77003 LM	66110 LM	BIG77000 PR.420W AS.CON.50°230V 4000K IP66
BG77420D55F	5500 K	DIFF 55°	80083 LM	68194 LM	BIG77000 PR.420W AS.DIF.55°230V 5500K IP66
BG77420C50F	5500 K	CON 50°	80083 LM	68194 LM	BIG77000 PR.420W AS.CON.50°230V 5500K IP66

BIG ARENA 85000

High-performance outdoor two modules floodlight with a multichip optical system to enhance light distribution and ensure high efficiency and reliability. Three modules adjustable with a tilt of +/- 30° on the horizontal axis of the module itself, for a better distribution of light through the aiming points. The body features improved aerodynamic resistance, passivated, and coated with high-strength epoxy paints, stainless steel hardware, and a goniometric system for precise adjustment of the light beam. Produced with a quality guarantee over time: Infinity Life.



BEAM ANGLE



MAX. BRIGHTNESS

75200 LM
REAL LUMES

89817 LM
RATED LUMES



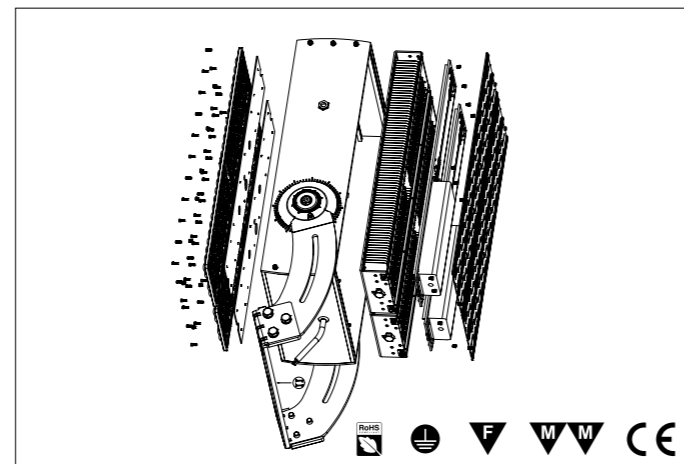
550

CONSUMPTION

470W

POWER SUPPLY

230V



CONTROLLED LIGHT FLOW



PRODUCT PLUS

VIRTUAL MIDNIGHT

Upon request, an efficient solution based on intelligent technologies to reduce consumption by using only the light that is needed, when needed. Management and maintenance costs are not required.

POWER SUPPLY SEPARATE FROM THE BODY

Available with a separate power supply to enhance reliability and expedite maintenance by simplifying the process.

INFINTY LIFE

The Infinity Life program ensures that the product can be regenerated, refurbished, and updated over the years, following the evolution of new technologies, making it an investment for the future.

RELIABLE AND DURABLE

Stainless steel hardware. Passivated body and painted with epoxy powders with high resistance tested to salt spray mists, also suitable for use in marine environments.

MULTI-CHIP OPTICAL SYSTEM

For controlled light beam distribution and high efficiency.

SUITABLE FOR APPROVED SPORTS INSTALLATIONS

Conforms to the highest quality standards to comply with lighting regulations and requirements. F.I.G.C. - F.I.T. - F.I.N. - F.I.P. (ITALIAN STANDARDS)

DOUBLE INSULATION CLASS II

On request in double insulation class for installation without earthing.

SURGE PROTECTION

Equipped with surge protection in accordance with IEC 61643-11:2011: CLASS III and CLASS II.

ON DEMAND DIMMABLE DALI / DALI 2 / 1-10

Ideal for adapting to all lighting technology and efficiency requirements.

BIG

GENERAL FEATURES

DEGREE OF PROTECTION	IP66
IK	08
WEIGHT	12000 G

LIGHTING FEATURES

LED TYPE	PHILIPS LUMILED
CHROME YIELD	80
RG	0 ETHR
FLUX MAINTENANCE	90% 100000HR (L90B10)
INITIAL CHROMATICITY	SDCM <3
TOLLER. LUMINOUS FLUX	+/- 7%

ELECTRICAL CHARACTERISTICS

WATT	470
TOLERANCE CONSUMPTION	+/- 10%
LIGHT SOURCES	240
POWER SUPPLY	230 V

BIG ARENA 85000

ELECTRICAL CHARACTERISTICS

DIMMABLE	NO
POWER FACTOR	0,9
MAINTENANCE INDEX	0,9

MATERIAL FINISHES

BODY	DIE-CAST ALUMINIUM PASSIVATED EPOXY POWDER COATED
FINISH	RAL9023
SCREEN	POLYMETHYL METHACRYLATE
CABLE	1500MM 3X1,00 NEOPRENE
CABLE GLAND	NICKEL-PLATED BRASS

TEMPERATURES

STORAGE	-35°C TO +80°C
OPERATING	-35°C TO +50°C

RELIABILITY

UP TO 7 YEARS WARRANTY

RECYCLABILITY

95%

CUSTOMIZATION

CABLE The dimensions and type of cable may be different from the standard	LENGTH IN CM	CODE ARTICLE + C + CM TOT
DIMMING	1-10 DALI / DALI 2	CODE ARTICLE + D1 CODE ARTICLE + DD
QUICK CONNECTOR IP68 TECHNO		CODE ARTICLE + THB
OVERVOLTAGE PROTECTION FOR VOLTAGES HIGHER THAN 10KV		ON REQUEST
DOUBLE INSULATION CLASS II		ON REQUEST
POWER SUPPLY SEPARATE FROM THE BODY		ON REQUEST

CODE TO DIAL

ARTICLES

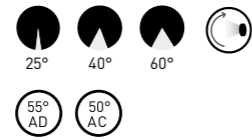
CODE	KELVIN DEGREES	ANG.	LUMEN		METEL
			RATED LUMES	REAL OUTPUT	
SYMMETRICAL					
BG8547020C	3000 K	25°	81263 LM	69560 LM	BIG85000 PROIETTORE 470W 25°230V 3000K IP66
BG8547040C	3000 K	40°	81263 LM	69560 LM	BIG85000 PROIETTORE 470W 40°230V 3000K IP66
BG8547060C	3000 K	60°	81263 LM	69560 LM	BIG85000 PROIETTORE 470W 60°230V 3000K IP66
BG8547020N	4000 K	25°	85540 LM	72850 LM	BIG85000 PROIETTORE 470W 25°230V 4000K IP66
BG8547040N	4000 K	40°	85540 LM	72850 LM	BIG85000 PROIETTORE 470W 40°230V 4000K IP66
BG8547060N	4000 K	60°	85540 LM	72850 LM	BIG85000 PROIETTORE 470W 60°230V 4000K IP66
BG8547020F	5500 K	25°	89817 LM	75200 LM	BIG85000 PROIETTORE 470W 25°230V 5500K IP66
BG8547040F	5500 K	40°	89817 LM	75200 LM	BIG85000 PROIETTORE 470W 40°230V 5500K IP66
BG8547060N	5500 K	60°	89817 LM	75200 LM	BIG85000 PROIETTORE 470W 60°230V 5500K IP66
ASYMMETRICAL					
BG85470D55C	3000 K	DIFF 55°	81263 LM	69560 LM	BIG85000 PR.470W AS.DIF.55°230V 3000K IP66
BG85470C50C	3000 K	CON 50°	81263 LM	69560 LM	BIG85000 PR.470W AS.CON.50°230V 3000K IP66
BG85470D55N	4000 K	DIFF 55°	85540 LM	72850 LM	BIG85000 PR.470W AS.DIF.55°230V 4000K IP66
BG85470C50N	4000 K	CON 50°	85540 LM	72850 LM	BIG85000 PR.470W AS.CON.50°230V 4000K IP66
BG85470D55F	5500 K	DIFF 55°	89817 LM	75200 LM	BIG85000 PR.470W AS.DIF.55°230V 5500K IP66
BG85470C50F	5500 K	CON 50°	89817 LM	75200 LM	BIG85000 PR.470W AS.CON.50°230V 5500K IP66

BIG ARENA 100000

High-performance outdoor two modules floodlight with a multichip optical system to enhance light distribution and ensure high efficiency and reliability. Three modules adjustable with a tilt of +/- 30° on the horizontal axis of the module itself, for a better distribution of light through the aiming points. The body features improved aerodynamic resistance, passivated, and coated with high-strength epoxy paints, stainless steel hardware, and a goniometric system for precise adjustment of the light beam. Produced with a quality guarantee over time: Infinity Life.



BEAM ANGLE



MAX. BRIGHTNESS

89513 LM
REAL LUMES

105105 LM
RATED LUMES

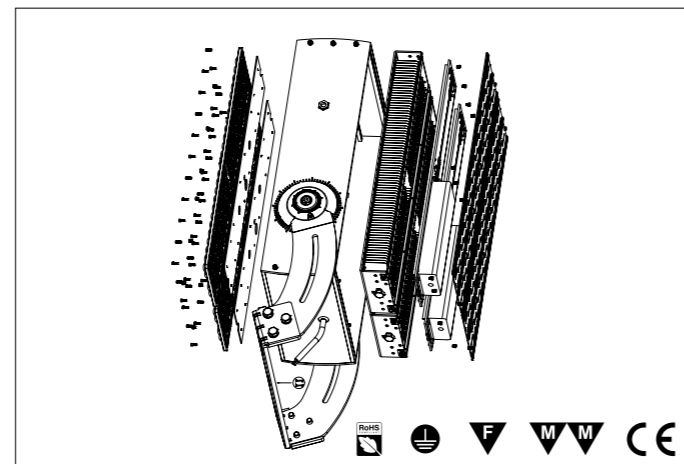


550

CONSUMPTION



POWER SUPPLY



CONTROLLED LIGHT FLOW



PRODUCT PLUS

VIRTUAL MIDNIGHT

Upon request, an efficient solution based on intelligent technologies to reduce consumption by using only the light that is needed, when needed. Management and maintenance costs are not required.

POWER SUPPLY SEPARATE FROM THE BODY

Available with a separate power supply to enhance reliability and expedite maintenance by simplifying the process.

INFINTY LIFE

The Infinity Life program ensures that the product can be regenerated, refurbished, and updated over the years, following the evolution of new technologies, making it an investment for the future.

RELIABLE AND DURABLE

Stainless steel hardware. Passivated body and painted with epoxy powders with high resistance tested to salt spray mists, also suitable for use in marine environments.

MULTI-CHIP OPTICAL SYSTEM

For controlled light beam distribution and high efficiency.

SUITABLE FOR APPROVED SPORTS INSTALLATIONS

Conforms to the highest quality standards to comply with lighting regulations and requirements. F.I.G.C. - F.I.T. - F.I.N. - F.I.P. (ITALIAN STANDARDS)

DOUBLE INSULATION CLASS II

On request in double insulation class for installation without earthing.

SURGE PROTECTION

Equipped with surge protection in accordance with IEC 61643-11:2011: CLASS III and CLASS II.

ON DEMAND DIMMABLE DALI / DALI 2 / 1-10

Ideal for adapting to all lighting technology and efficiency requirements.

BIG

BIG

GENERAL FEATURES

DEGREE OF PROTECTION	IP66
IK	08
WEIGHT	12000 G

LIGHTING FEATURES

LED TYPE	PHILIPS LUMILED
CHROME YIELD	80
RG	0 ETHR
FLUX MAINTENANCE	90% 100000HR (L90B10)
INITIAL CHROMATICITY	SDCM <3
TOLLER. LUMINOUS FLUX	+/- 7%

ELECTRICAL CHARACTERISTICS

WATT	550
TOLERANCE CONSUMPTION	+/- 10%
LIGHT SOURCES	240
POWER SUPPLY	230 V

BIG ARENA 100000

ELECTRICAL CHARACTERISTICS

DIMMABLE	NO
POWER FACTOR	0,9
MAINTENANCE INDEX	0,9

MATERIAL FINISHES

BODY	DIE-CAST ALUMINIUM PASSIVATED EPOXY POWDER COATED
FINISH	RAL9023
SCREEN	POLYMETHYL METHACRYLATE
CABLE	1500MM 3X1,00 NEOPRENE
CABLE GLAND	NICKEL-PLATED BRASS

TEMPERATURES

STORAGE	-35°C TO +80°C
OPERATING	-35°C TO +50°C

RELIABILITY

UP TO 7 YEARS WARRANTY

RECYCLABILITY

95%

CUSTOMIZATION

CABLE	LENGTH IN CM
The dimensions and type of cable may be different from the standard	
DIMMING	DALI / DALI 2
QUICK CONNECTOR IP68 TECHNO	
OVERVOLTAGE PROTECTION FOR VOLTAGES HIGHER THAN 10KV	
DOUBLE INSULATION CLASS II	
POWER SUPPLY SEPARATE FROM THE BODY	

CODE TO DIAL

CODE ARTICLE + C + CM TOT
CODE ARTICLE + D1
CODE ARTICLE + DD
CODE ARTICLE + THB
ON REQUEST
ON REQUEST
ON REQUEST

ARTICLES

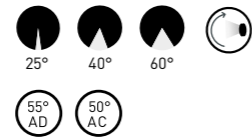
CODE	KELVIN DEGREES	ANG.	LUMEN		METEL
			RATED LUMES	REAL OUTPUT	
SYMMETRICAL					
BG10055020C	3000 K	25°	95095 LM	81400 LM	BIG100000 PROIETTORE 550W 25°230V 3000K IP66
BG10055040C	3000 K	40°	95095 LM	81400 LM	BIG100000 PROIETTORE 550W 40°230V 3000K IP66
BG10055060C	3000 K	60°	95095 LM	81400 LM	BIG100000 PROIETTORE 550W 60°230V 3000K IP66
BG10055020N	4000 K	25°	100100 LM	85250 LM	BIG100000 PROIETTORE 550W 25°230V 3000K IP66
BG10055040N	4000 K	40°	100100 LM	85250 LM	BIG100000 PROIETTORE 550W 40°230V 4000K IP66
BG10055060N	4000 K	60°	100100 LM	85250 LM	BIG100000 PROIETTORE 550W 60°230V 4000K IP66
BG10055020F	5500 K	25°	105105 LM	89513 LM	BIG100000 PROIETTORE 550W 25°230V 5500K IP66
BG10055040F	5500 K	40°	105105 LM	89513 LM	BIG100000 PROIETTORE 550W 40°230V 5500K IP66
BG10055060F	5500 K	60°	105105 LM	89513 LM	BIG100000 PROIETTORE 550W 60°230V 5500K IP66
ASYMMETRICAL					
BG100550D55C	3000 K	DIFF 55°	95095 LM	81400 LM	BIG100000 PR.550W AS.DIF.55°230V 3000K IP66
BG100550C50C	3000 K	CON 50°	95095 LM	81400 LM	BIG100000 PR.550W AS.CON.50°230V 3000K IP66
BG100550D55N	4000 K	DIFF 55°	100100 LM	85250 LM	BIG100000 PR.550W AS.DIF.55°230V 4000K IP66
BG100550C50N	4000 K	CON 50°	100100 LM	85250 LM	BIG100000 PR.550W AS.CON.50°230V 4000K IP66
BG100550D55F	5500 K	DIFF 55°	105105 LM	89513 LM	BIG100000 PR.550W AS.DIF.55°230V 5500K IP66
BG100550C50F	5500 K	CON 50°	105105 LM	89513 LM	BIG100000 PR.550W AS.CON.50°230V 5500K IP66

BIG ARENA 115000

High-performance outdoor two modules floodlight with a multichip optical system to enhance light distribution and ensure high efficiency and reliability. Three modules adjustable with a tilt of +/- 30° on the horizontal axis of the module itself, for a better distribution of light through the aiming points. The body features improved aerodynamic resistance, passivated, and coated with high-strength epoxy paints, stainless steel hardware, and a goniometric system for precise adjustment of the light beam. Produced with a quality guarantee over time: Infinity Life.



BEAM ANGLE



MAX. BRIGHTNESS

100800 LM
REAL LUMES

120393 LM
RATED LUMES

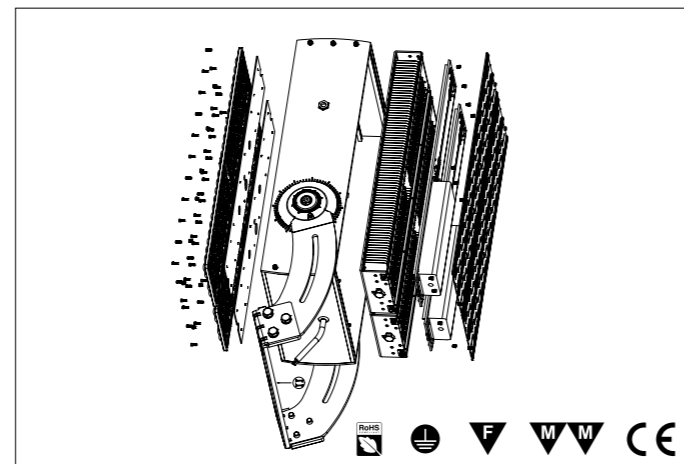


550

CONSUMPTION



POWER SUPPLY



CONTROLLED LIGHT FLOW



PRODUCT PLUS

VIRTUAL MIDNIGHT

Upon request, an efficient solution based on intelligent technologies to reduce consumption by using only the light that is needed, when needed. Management and maintenance costs are not required.

POWER SUPPLY SEPARATE FROM THE BODY

Available with a separate power supply to enhance reliability and expedite maintenance by simplifying the process.

INFINTY LIFE

The Infinity Life program ensures that the product can be regenerated, refurbished, and updated over the years, following the evolution of new technologies, making it an investment for the future.

RELIABLE AND DURABLE

Stainless steel hardware. Passivated body and painted with epoxy powders with high resistance tested to salt spray mists, also suitable for use in marine environments.

MULTI-CHIP OPTICAL SYSTEM

For controlled light beam distribution and high efficiency.

SUITABLE FOR APPROVED SPORTS INSTALLATIONS

Conforms to the highest quality standards to comply with lighting regulations and requirements. F.I.G.C. - F.I.T. - F.I.N. - F.I.P. (ITALIAN STANDARDS)

DOUBLE INSULATION CLASS II

On request in double insulation class for installation without earthing.

SURGE PROTECTION

Equipped with surge protection in accordance with IEC 61643-11:2011: CLASS III and CLASS II.

ON DEMAND DIMMABLE DALI / DALI 2 / 1-10

Ideal for adapting to all lighting technology and efficiency requirements.

BIG

GENERAL FEATURES

DEGREE OF PROTECTION	IP66
IK	08
WEIGHT	12000 G

LIGHTING FEATURES

LED TYPE	PHILIPS LUMILED
CHROME YIELD	80
RG	0 ETHR
FLUX MAINTENANCE	90% 100000HR (L90B10)
INITIAL CHROMATICITY	SDCM <3
TOLLER. LUMINOUS FLUX	+/- 7%

ELECTRICAL CHARACTERISTICS

WATT	630
TOLERANCE CONSUMPTION	+/- 10%
LIGHT SOURCES	240
POWER SUPPLY	230 V

BIG ARENA 115000

ELECTRICAL CHARACTERISTICS

DIMMABLE	NO
POWER FACTOR	0,9
MAINTENANCE INDEX	0,9

MATERIAL FINISHES

BODY	DIE-CAST ALUMINIUM PASSIVATED EPOXY POWDER COATED
FINISH	RAL9023
SCREEN	POLYMETHYL METHACRYLATE
CABLE	1500MM 3X1,00 NEOPRENE
CABLE GLAND	NICKEL-PLATED BRASS

TEMPERATURES

STORAGE	-35°C TO +80°C
OPERATING	-35°C TO +50°C

RELIABILITY

UP TO 7 YEARS WARRANTY

RECYCLABILITY

95%

CUSTOMIZATION

CABLE	LENGTH IN CM
The dimensions and type of cable may be different from the standard	
	1-10
DIMMING	DALI / DALI 2
QUICK CONNECTOR IP68 TECHNO	
OVERVOLTAGE PROTECTION FOR VOLTAGES HIGHER THAN 10KV	
DOUBLE INSULATION CLASS II	
POWER SUPPLY SEPARATE FROM THE BODY	

CODE TO DIAL

CODE ARTICLE + C + CM TOT
CODE ARTICLE + D1
CODE ARTICLE + DD
CODE ARTICLE + THB
ON REQUEST
ON REQUEST
ON REQUEST

ARTICLES

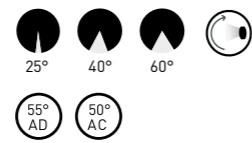
CODE	KELVIN DEGREES	ANG.	LUMEN		METEL
			RATED LUMES	REAL OUTPUT	
SYMMETRICAL					
BG11563020C	3000 K	25°	108927 LM	93240 LM	BIG115000 PROIETTORE 630W 25°230V 3000K IP66
BG11563040C	3000 K	40°	108927 LM	93240 LM	BIG115000 PROIETTORE 630W 40°230V 3000K IP66
BG11563060C	3000 K	60°	108927 LM	93240 LM	BIG115000 PROIETTORE 630W 60°230V 3000K IP66
BG11563020N	4000 K	25°	114660 LM	97650 LM	BIG115000 PROIETTORE 630W 25°230V 4000K IP66
BG11563040N	4000 K	40°	114660 LM	97650 LM	BIG115000 PROIETTORE 630W 40°230V 4000K IP66
BG11563060N	4000 K	60°	114660 LM	97650 LM	BIG115000 PROIETTORE 630W 60°230V 4000K IP66
BG11563020F	5500 K	25°	120393 LM	100800 LM	BIG115000 PROIETTORE 630W 25°230V 5500K IP66
BG11563040F	5500 K	40°	120393 LM	100800 LM	BIG115000 PROIETTORE 630W 40°230V 5500K IP66
BG11563060F	5500 K	60°	120393 LM	100800 LM	BIG115000 PROIETTORE 630W 60°230V 5500K IP66
ASYMMETRICAL					
BG115630D55C	3000 K	DIFF 55°	108927 LM	93240 LM	BIG115000 PR.630W AS.DIF.55°230V 3000K IP66
BG115630C50C	3000 K	CON 50°	108927 LM	93240 LM	BIG115000 PR.630W AS.CON.50°230V 3000K IP66
BG115630D55N	4000 K	DIFF 55°	114660 LM	97650 LM	BIG115000 PR.630W AS.DIF.55°230V 4000K IP66
BG115630C50N	4000 K	CON 50°	114660 LM	97650 LM	BIG115000 PR.630W AS.CON.50°230V 4000K IP66
BG115630D55F	5500 K	DIFF 55°	120393 LM	100800 LM	BIG115000 PR.630W AS.DIF.55°230V 5500K IP66
BG115630C50F	5500 K	CON 50°	120393 LM	100800 LM	BIG115000 PR.630W AS.CON.50°230V 5500K IP66

BIG ARENA 128000

High-performance outdoor three modules floodlight with a multichip optical system to enhance light distribution and ensure high efficiency and reliability. Three modules adjustable with a tilt of +/- 30° on the horizontal axis of the module itself, for a better distribution of light through the aiming points. The body features improved aerodynamic resistance, passivated, and coated with high-strength epoxy paints, stainless steel hardware, and a goniometric system for precise adjustment of the light beam. Produced with a quality guarantee over time: Infinity Life.



BEAM ANGLE



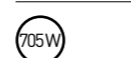
MAX. BRIGHTNESS

112800 LM
REAL LUMES

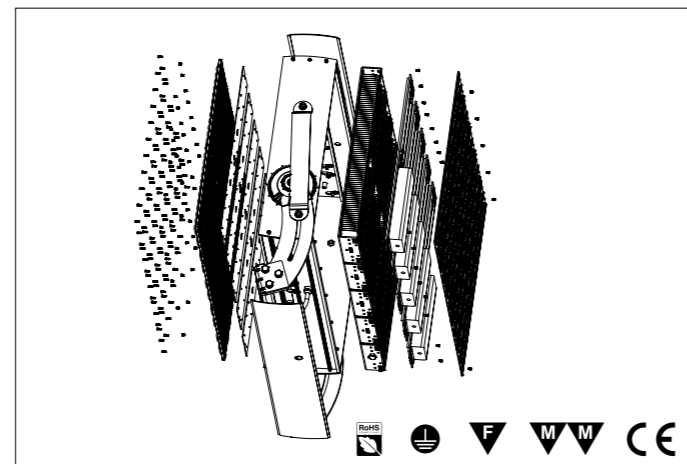
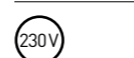
134726 LM
RATED LUMES



CONSUMPTION



POWER SUPPLY



BIG

GENERAL FEATURES	
DEGREE OF PROTECTION	IP66
IK	08
WEIGHT	18000 G
LIGHTING FEATURES	
LED TYPE	PHILIPS LUMILED
CHROME YIELD	80
RG	0 ETHR
FLUX MAINTENANCE	90% 100000HR (L90B10)
INITIAL CHROMATICITY	SDCM <3
TOLLER. LUMINOUS FLUX	+/- 7%
ELECTRICAL CHARACTERISTICS	
WATT	705
TOLERANCE CONSUMPTION	+/- 10%
LIGHT SOURCES	360
POWER SUPPLY	230 V

BIG ARENA 128000

ELECTRICAL CHARACTERISTICS	
DIMMABLE	NO
POWER FACTOR	0,9
MAINTENANCE INDEX	0,9
MATERIAL FINISHES	
BODY	DIE-CAST ALUMINIUM PASSIVATED EPOXY POWDER COATED
FINISH	RAL9023
SCREEN	POLYMETHYL METHACRYLATE
CABLE	1500MM 3X1,00 NEOPRENE
CABLE GLAND	NICKEL-PLATED BRASS
TEMPERATURES	
STORAGE	-35°C TO +80°C
OPERATING	-35°C TO +50°C
RELIABILITY	UP TO 7 YEARS WARRANTY
RECYCLABILITY	95%

CUSTOMIZATION	CODE TO DIAL
CABLE The dimensions and type of cable may be different from the standard	LENGTH IN CM CODE ARTICLE + C + CM TOT
	1-10 CODE ARTICLE + D1
DIMMING	DALI / DALI 2 CODE ARTICLE + DD
QUICK CONNECTOR IP68 TECHNO	CODE ARTICLE + THB
OVERVOLTAGE PROTECTION FOR VOLTAGES HIGHER THAN 10KV	ON REQUEST
DOUBLE INSULATION CLASS II	ON REQUEST
POWER SUPPLY SEPARATE FROM THE BODY	ON REQUEST

ARTICLES

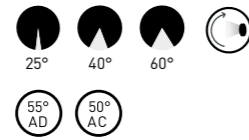
CODE	KELVIN DEGREES	ANG.	LUMEN		METEL
			RATED LUMES	REAL OUTPUT	
SYMMETRICAL					
BG12870520C	3000 K	25°	121895 LM	104340 LM	BIG128000 PROIETTORE 705W 25°230V 3000K IP66
BG12870540C	3000 K	40°	121895 LM	104340 LM	BIG128000 PROIETTORE 705W 40°230V 3000K IP66
BG12870560C	3000 K	60°	121895 LM	104340 LM	BIG128000 PROIETTORE 705W 60°230V 3000K IP66
BG12870520N	4000 K	25°	128310 LM	109275 LM	BIG128000 PROIETTORE 705W 25°230V 4000K IP66
BG12870540N	4000 K	40°	128310 LM	109275 LM	BIG128000 PROIETTORE 705W 40°230V 4000K IP66
BG12870560N	4000 K	60°	128310 LM	109275 LM	BIG128000 PROIETTORE 705W 60°230V 4000K IP66
BG12870520F	5500 K	25°	134726 LM	112800 LM	BIG128000 PROIETTORE 705W 25°230V 5500K IP66
BG12870540F	5500 K	40°	134726 LM	112800 LM	BIG128000 PROIETTORE 705W 40°230V 5500K IP66
BG12870560F	5500 K	60°	134726 LM	112800 LM	BIG128000 PROIETTORE 705W 60°230V 5500K IP66
ASYMMETRICAL					
BG128705D55C	3000 K	DIFF 55°	121895 LM	104340 LM	BIG128000 PR.705W AS.DIF.55°230V 3000K IP66
BG128705C50C	3000 K	CON 50°	121895 LM	104340 LM	BIG128000 PR.705W AS.CON.50°230V 3000K IP66
BG128705D55N	4000 K	DIFF 55°	128310 LM	109275 LM	BIG128000 PR.705W AS.DIF.55°230V 4000K IP66
BG128705C50N	4000 K	CON 50°	128310 LM	109275 LM	BIG128000 PR.705W AS.CON.50°230V 4000K IP66
BG128705D55F	5500 K	DIFF 55°	134726 LM	112800 LM	BIG128000 PR.705W AS.DIF.55°230V 5500K IP66
BG128705C50F	5500 K	CON 50°	134726 LM	112800 LM	BIG128000 PR.705W AS.CON.50°230V 5500K IP66

BIG ARENA 150000

High-performance outdoor three modules floodlight with a multichip optical system to enhance light distribution and ensure high efficiency and reliability. Three modules adjustable with a tilt of +/- 30° on the horizontal axis of the module itself, for a better distribution of light through the aiming points. The body features improved aerodynamic resistance, passivated, and coated with high-strength epoxy paints, stainless steel hardware, and a goniometric system for precise adjustment of the light beam. Produced with a quality guarantee over time: Infinity Life.



BEAM ANGLE



MAX. BRIGHTNESS

132000 LM
REAL LUMES

157658 LM
RATED LUMES



CONTROLLED LIGHT FLOW



PRODUCT PLUS

VIRTUAL MIDNIGHT

Upon request, an efficient solution based on intelligent technologies to reduce consumption by using only the light that is needed, when needed. Management and maintenance costs are not required.

POWER SUPPLY SEPARATE FROM THE BODY

Available with a separate power supply to enhance reliability and expedite maintenance by simplifying the process.

INFINTY LIFE

The Infinity Life program ensures that the product can be regenerated, refurbished, and updated over the years, following the evolution of new technologies, making it an investment for the future.

RELIABLE AND DURABLE

Stainless steel hardware. Passivated body and painted with epoxy powders with high resistance tested to salt spray mists, also suitable for use in marine environments.

MULTI-CHIP OPTICAL SYSTEM

For controlled light beam distribution and high efficiency.

SUITABLE FOR APPROVED SPORTS INSTALLATIONS

Conforms to the highest quality standards to comply with lighting regulations and requirements. F.I.G.C. - F.I.T. - F.I.N. - F.I.P. (ITALIAN STANDARDS)

DOUBLE INSULATION CLASS II

On request in double insulation class for installation without earthing.

SURGE PROTECTION

Equipped with surge protection in accordance with IEC 61643-11:2011: CLASS III and CLASS II.

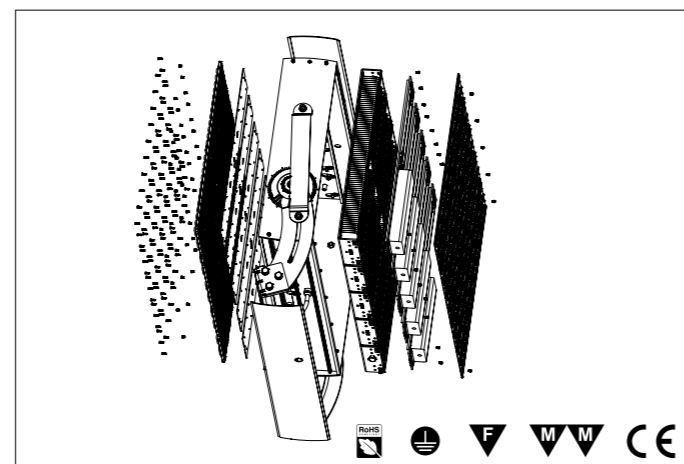
ON DEMAND DIMMABLE DALI / DALI 2 / 1-10

Ideal for adapting to all lighting technology and efficiency requirements.

CONSUMPTION



POWER SUPPLY



BIG

GENERAL FEATURES

DEGREE OF PROTECTION	IP66
IK	08
WEIGHT	18000 G

LIGHTING FEATURES

LED TYPE	PHILIPS LUMILED
CHROME YIELD	80
RG	0 ETHR
FLUX MAINTENANCE	90% 100000HR (L90B10)
INITIAL CHROMATICITY	SDCM <3
TOLLER. LUMINOUS FLUX	+/- 7%

ELECTRICAL CHARACTERISTICS

WATT	825
TOLERANCE CONSUMPTION	+/- 10%
LIGHT SOURCES	360
POWER SUPPLY	230 V

BIG ARENA 150000

ELECTRICAL CHARACTERISTICS

DIMMABLE	NO
POWER FACTOR	0,9
MAINTENANCE INDEX	0,9

MATERIAL FINISHES

BODY	DIE-CAST ALUMINIUM PASSIVATED EPOXY POWDER COATED
FINISH	RAL9023
SCREEN	POLYMETHYL METHACRYLATE
CABLE	1500MM 3X1,00 NEOPRENE
CABLE GLAND	NICKEL-PLATED BRASS

TEMPERATURES

STORAGE	-35°C TO +80°C
OPERATING	-35°C TO +50°C

RELIABILITY

UP TO 7 YEARS WARRANTY

RECYCLABILITY

95%

CUSTOMIZATION

CABLE	LENGTH IN CM
The dimensions and type of cable may be different from the standard	
DIMMING	DALI / DALI 2
QUICK CONNECTOR IP68 TECHNO	
OVERVOLTAGE PROTECTION FOR VOLTAGES HIGHER THAN 10KV	
DOUBLE INSULATION CLASS II	
POWER SUPPLY SEPARATE FROM THE BODY	

CODE TO DIAL

CODE ARTICLE + C + CM TOT
CODE ARTICLE + D1
CODE ARTICLE + DD
CODE ARTICLE + THB
ON REQUEST
ON REQUEST
ON REQUEST

ARTICLES

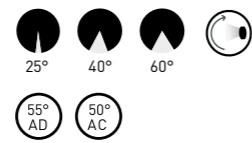
CODE	KELVIN DEGREES	ANG.	LUMEN		METEL
			RATED LUMES	REAL OUTPUT	
SYMMETRICAL					
BG15082520C	3000 K	25°	142643 LM	122100 LM	BIG150000 PROIETTORE 825W 25°230V 3000K IP66
BG15082540C	3000 K	40°	142643 LM	122100 LM	BIG150000 PROIETTORE 825W 40°230V 3000K IP66
BG15082560C	3000 K	60°	142643 LM	122100 LM	BIG150000 PROIETTORE 825W 60°230V 3000K IP66
BG15082520N	4000 K	25°	150150 LM	127875 LM	BIG150000 PROIETTORE 825W 25°230V 4000K IP66
BG15082540N	4000 K	40°	150150 LM	127875 LM	BIG150000 PROIETTORE 825W 40°230V 4000K IP66
BG15082560N	4000 K	60°	150150 LM	127875 LM	BIG150000 PROIETTORE 825W 60°230V 4000K IP66
BG15082520F	5500 K	25°	157658 LM	132000 LM	BIG150000 PROIETTORE 825W 25°230V 5500K IP66
BG15082540F	5500 K	40°	157658 LM	132000 LM	BIG150000 PROIETTORE 825W 40°230V 5500K IP66
BG15082560F	5500 K	60°	157658 LM	132000 LM	BIG150000 PROIETTORE 825W 60°230V 5500K IP66
ASYMMETRICAL					
BG150825D55C	3000 K	DIFF 55°	142643 LM	122100 LM	BIG150000 PR.825W AS.DIF.55°230V 3000K IP66
BG150825C50C	3000 K	CON 50°	142643 LM	122100 LM	BIG150000 PR.825W AS.CON.50°230V 3000K IP66
BG150825D55N	4000 K	DIFF 55°	150150 LM	127875 LM	BIG150000 PR.825W AS.DIF.55°230V 4000K IP66
BG150825C50N	4000 K	CON 50°	150150 LM	127875 LM	BIG150000 PR.825W AS.CON.50°230V 4000K IP66
BG150825D55F	5500 K	DIFF 55°	157658 LM	132000 LM	BIG150000 PR.825W AS.DIF.55°230V 5500K IP66
BG150825C50F	5500 K	CON 50°	157658 LM	132000 LM	BIG150000 PR.825W AS.CON.50°230V 5500K IP66

BIG ARENA 172000

High-performance outdoor three modules floodlight with a multichip optical system to enhance light distribution and ensure high efficiency and reliability. Three modules adjustable with a tilt of +/- 30° on the horizontal axis of the module itself, for a better distribution of light through the aiming points. The body features improved aerodynamic resistance, passivated, and coated with high-strength epoxy paints, stainless steel hardware, and a goniometric system for precise adjustment of the light beam. Produced with a quality guarantee over time: Infinity Life.



BEAM ANGLE



MAX. BRIGHTNESS

151200 LM
REAL LUMES

180590 LM
RATED LUMES



CONTROLLED LIGHT FLOW



PRODUCT PLUS

VIRTUAL MIDNIGHT

Upon request, an efficient solution based on intelligent technologies to reduce consumption by using only the light that is needed, when needed. Management and maintenance costs are not required.

POWER SUPPLY SEPARATE FROM THE BODY

Available with a separate power supply to enhance reliability and expedite maintenance by simplifying the process.

INFINTY LIFE

The Infinity Life program ensures that the product can be regenerated, refurbished, and updated over the years, following the evolution of new technologies, making it an investment for the future.

RELIABLE AND DURABLE

Stainless steel hardware. Passivated body and painted with epoxy powders with high resistance tested to salt spray mists, also suitable for use in marine environments.

MULTI-CHIP OPTICAL SYSTEM

For controlled light beam distribution and high efficiency.

SUITABLE FOR APPROVED SPORTS INSTALLATIONS

Conforms to the highest quality standards to comply with lighting regulations and requirements. F.I.G.C. - F.I.T. - F.I.N. - F.I.P. (ITALIAN STANDARDS)

DOUBLE INSULATION CLASS II

On request in double insulation class for installation without earthing.

SURGE PROTECTION

Equipped with surge protection in accordance with IEC 61643-11:2011: CLASS III and CLASS II.

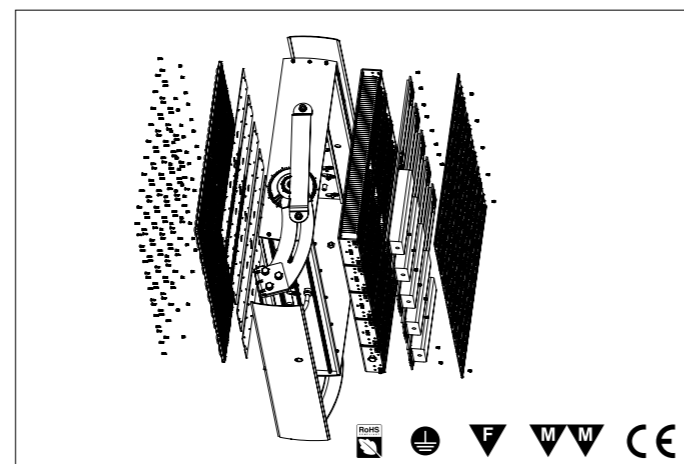
ON DEMAND DIMMABLE DALI / DALI 2 / 1-10

Ideal for adapting to all lighting technology and efficiency requirements.

CONSUMPTION



POWER SUPPLY



BIG

GENERAL FEATURES

DEGREE OF PROTECTION	IP66
IK	08
WEIGHT	18000 G

LIGHTING FEATURES

LED TYPE	PHILIPS LUMILED
CHROME YIELD	80
RG	0 ETHR
FLUX MAINTENANCE	90% 100000HR (L90B10)
INITIAL CHROMATICITY	SDCM <3
TOLLER. LUMINOUS FLUX	+/- 7%

ELECTRICAL CHARACTERISTICS

WATT	945
TOLERANCE CONSUMPTION	+/- 10%
LIGHT SOURCES	360
POWER SUPPLY	230 V

BIG ARENA 172000

ELECTRICAL CHARACTERISTICS

DIMMABLE	NO
POWER FACTOR	0,9
MAINTENANCE INDEX	0,9

MATERIAL FINISHES

BODY	DIE-CAST ALUMINIUM PASSIVATED EPOXY POWDER COATED
FINISH	RAL9023
SCREEN	POLYMETHYL METHACRYLATE
CABLE	1500MM 3X1,00 NEOPRENE
CABLE GLAND	NICKEL-PLATED BRASS

TEMPERATURES

STORAGE	-35°C TO +80°C
OPERATING	-35°C TO +50°C

RELIABILITY

UP TO 7 YEARS WARRANTY

RECYCLABILITY

95%

CUSTOMIZATION

CABLE	LENGTH IN CM
The dimensions and type of cable may be different from the standard	
DIMMING	DALI / DALI 2
QUICK CONNECTOR IP68 TECHNO	
OVERVOLTAGE PROTECTION FOR VOLTAGES HIGHER THAN 10KV	
DOUBLE INSULATION CLASS II	
POWER SUPPLY SEPARATE FROM THE BODY	

CODE TO DIAL

CODE ARTICLE + C + CM TOT
CODE ARTICLE + D1
CODE ARTICLE + DD
CODE ARTICLE + THB
ON REQUEST
ON REQUEST
ON REQUEST

ARTICLES

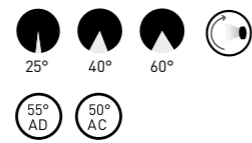
CODE	KELVIN DEGREES	ANG.	LUMEN		METEL
			RATED LUMES	REAL OUTPUT	
SYMMETRICAL					
BG17294520C	3000 K	25°	163391 LM	139860 LM	BIG172000 PROIETTORE 945W 25°230V 3000K IP66
BG17294540C	3000 K	40°	163391 LM	139860 LM	BIG172000 PROIETTORE 945W 40°230V 3000K IP66
BG17294560C	3000 K	60°	163391 LM	139860 LM	BIG172000 PROIETTORE 945W 60°230V 3000K IP66
BG17294520N	4000 K	25°	171990 LM	146475 LM	BIG172000 PROIETTORE 945W 25°230V 4000K IP66
BG17294540N	4000 K	40°	171990 LM	146475 LM	BIG172000 PROIETTORE 945W 40°230V 4000K IP66
BG17294560N	4000 K	60°	171990 LM	146475 LM	BIG172000 PROIETTORE 945W 60°230V 4000K IP66
BG17294520F	5500 K	25°	180590 LM	151200 LM	BIG172000 PROIETTORE 945W 25°230V 5500K IP66
BG17294540F	5500 K	40°	180590 LM	151200 LM	BIG172000 PROIETTORE 945W 40°230V 5500K IP66
BG17294560F	5500 K	60°	180590 LM	151200 LM	BIG172000 PROIETTORE 945W 60°230V 5500K IP66
ASYMMETRICAL					
BG172945D55C	3000 K	DIFF 55°	163391 LM	139860 LM	BIG172000 PR.945W AS.DIF.55°230V 3000K IP66
BG172945C50C	3000 K	CON 50°	163391 LM	139860 LM	BIG172000 PR.945W AS.CON.50°230V 3000K IP66
BG172945D55N	4000 K	DIFF 55°	171990 LM	146475 LM	BIG172000 PR.945W AS.DIF.55°230V 4000K IP66
BG172945C55N	4000 K	CON 50°	171990 LM	146475 LM	BIG172000 PR.945W AS.CON.50°230V 4000K IP66
BG172945D55F	5500 K	DIFF 55°	180590 LM	151200 LM	BIG172000 PR.945W AS.DIF.55°230V 5500K IP66
BG172945C50F	5500 K	CON 50°	180590 LM	151200 LM	BIG172000 PR.945W AS.CON.50°230V 5500K IP66

BIG ARENA 200000

High-performance outdoor four modules floodlight with a multichip optical system to enhance light distribution and ensure high efficiency and reliability. Three modules adjustable with a tilt of +/- 30° on the horizontal axis of the module itself, for a better distribution of light through the aiming points. The body features improved aerodynamic resistance, passivated, and coated with high-strength epoxy paints, stainless steel hardware, and a goniometric system for precise adjustment of the light beam. Produced with a quality guarantee over time: Infinity Life.



BEAM ANGLE



MAX. BRIGHTNESS

176000 LM
REAL LUMES

210210 LM
RATED LUMES

CONTROLLED LIGHT FLOW



PRODUCT PLUS

VIRTUAL MIDNIGHT

Upon request, an efficient solution based on intelligent technologies to reduce consumption by using only the light that is needed, when needed. Management and maintenance costs are not required.

POWER SUPPLY SEPARATE FROM THE BODY

Available with a separate power supply to enhance reliability and expedite maintenance by simplifying the process.

INFINTY LIFE

The Infinity Life program ensures that the product can be regenerated, refurbished, and updated over the years, following the evolution of new technologies, making it an investment for the future.

RELIABLE AND DURABLE

Stainless steel hardware. Passivated body and painted with epoxy powders with high resistance tested to salt spray mists, also suitable for use in marine environments.

MULTI-CHIP OPTICAL SYSTEM

For controlled light beam distribution and high efficiency.

SUITABLE FOR APPROVED SPORTS INSTALLATIONS

Conforms to the highest quality standards to comply with lighting regulations and requirements. F.I.G.C. - F.I.T. - F.I.N. - F.I.P. (ITALIAN STANDARDS)

DOUBLE INSULATION CLASS II

On request in double insulation class for installation without earthing.

SURGE PROTECTION

Equipped with surge protection in accordance with IEC 61643-11:2011: CLASS III and CLASS II.

ON DEMAND DIMMABLE DALI / DALI 2 / 1-10

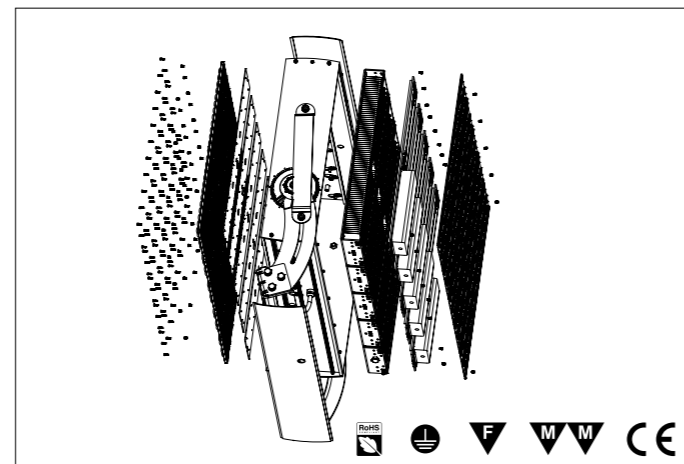
Ideal for adapting to all lighting technology and efficiency requirements.



CONSUMPTION



POWER SUPPLY



BIG

GENERAL FEATURES

DEGREE OF PROTECTION	IP66
IK	08
WEIGHT	24000 G

LIGHTING FEATURES

LED TYPE	PHILIPS LUMILED
CHROME YIELD	80
RG	0 ETHR
FLUX MAINTENANCE	90% 100000HR (L90B10)
INITIAL CHROMATICITY	SDCM <3
TOLLER. LUMINOUS FLUX	+/- 7%

ELECTRICAL CHARACTERISTICS

WATT	1100
TOLERANCE CONSUMPTION	+/- 10%
LIGHT SOURCES	480
POWER SUPPLY	230 V

BIG ARENA 200000

ELECTRICAL CHARACTERISTICS

DIMMABLE	NO
POWER FACTOR	0,9
MAINTENANCE INDEX	0,9

MATERIAL FINISHES

BODY	DIE-CAST ALUMINIUM PASSIVATED EPOXY POWDER COATED
FINISH	RAL9023
SCREEN	POLYMETHYL METHACRYLATE
CABLE	1500MM 3X1,00 NEOPRENE
CABLE GLAND	NICKEL-PLATED BRASS

TEMPERATURES

STORAGE	-35°C TO +80°C
OPERATING	-35°C TO +50°C

RELIABILITY

UP TO 7 YEARS WARRANTY

RECYCLABILITY

95%

CUSTOMIZATION

CABLE	LENGTH IN CM
The dimensions and type of cable may be different from the standard	
DIMMING	DALI / DALI 2
QUICK CONNECTOR IP68 TECHNO	
OVERVOLTAGE PROTECTION FOR VOLTAGES HIGHER THAN 10KV	
DOUBLE INSULATION CLASS II	
POWER SUPPLY SEPARATE FROM THE BODY	

CODE TO DIAL

CODE ARTICLE + C + CM TOT
CODE ARTICLE + D1
CODE ARTICLE + DD
CODE ARTICLE + THB
ON REQUEST
ON REQUEST
ON REQUEST

ARTICLES

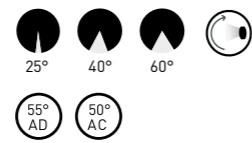
CODE	KELVIN DEGREES	ANG.	LUMEN		METEL
			RATED LUMES	REAL OUTPUT	
SYMMETRICAL					
BG200110020C	3000 K	25°	190190 LM	162800 LM	BIG200000 PROIETTORE 1100W 25°230V 3K IP66
BG200110040C	3000 K	40°	190190 LM	162800 LM	BIG200000 PROIETTORE 1100W 40°230V 3K IP66
BG200110060C	3000 K	60°	190190 LM	162800 LM	BIG200000 PROIETTORE 1100W 60°230V 3K IP66
BG200110020N	4000 K	25°	200200 LM	170500 LM	BIG200000 PROIETTORE 1100W 25°230V 4K IP66
BG200110040N	4000 K	40°	200200 LM	170500 LM	BIG200000 PROIETTORE 1100W 40°230V 4K IP66
BG200110060N	4000 K	60°	200200 LM	170500 LM	BIG200000 PROIETTORE 1100W 60°230V 4K IP66
BG200110020F	5500 K	25°	210210 LM	176000 LM	BIG200000 PROIETTORE 1100W 25°230V 5.5K IP66
BG200110040F	5500 K	40°	210210 LM	176000 LM	BIG200000 PROIETTORE 1100W 40°230V 5.5K IP66
BG200110060F	5500 K	60°	210210 LM	176000 LM	BIG200000 PROIETTORE 1100W 60°230V 5.5K IP66
ASYMMETRICAL					
BG2001100D55C	3000 K	DIFF 55°	190190 LM	162800 LM	BIG200000 PR.1100W AS.DIF.55°230V 3K IP66
BG2001100C50C	3000 K	CON 50°	190190 LM	162800 LM	BIG200000 PR.1100W AS.CON.50°230V 3K IP66
BG2001100D55N	4000 K	DIFF 55°	200200 LM	170500 LM	BIG200000 PR.1100W AS.DIF.55°230V 4K IP66
BG2001100C50N	4000 K	CON 50°	200200 LM	170500 LM	BIG200000 PR.1100W AS.CON.50°230V 4K IP66
BG2001100D55F	5500 K	DIFF 55°	210210 LM	176000 LM	BIG200000 PR.1100W AS.DIF.55°230V 5.5K IP66
BG2001100C50F	5500 K	CON 50°	210210 LM	176000 LM	BIG200000 PR.1100W AS.CON.50°230V 5.5K IP66

BIG ARENA 214000

High-performance outdoor four modules floodlight with a multichip optical system to enhance light distribution and ensure high efficiency and reliability. Three modules adjustable with a tilt of +/- 30° on the horizontal axis of the module itself, for a better distribution of light through the aiming points. The body features improved aerodynamic resistance, passivated, and coated with high-strength epoxy paints, stainless steel hardware, and a goniometric system for precise adjustment of the light beam. Produced with a quality guarantee over time: Infinity Life.



BEAM ANGLE



MAX. BRIGHTNESS

188000 LM
REAL LUMES

224711 LM
RATED LUMES

CONTROLLED LIGHT FLOW



PRODUCT PLUS

VIRTUAL MIDNIGHT

Upon request, an efficient solution based on intelligent technologies to reduce consumption by using only the light that is needed, when needed. Management and maintenance costs are not required.

POWER SUPPLY SEPARATE FROM THE BODY

Available with a separate power supply to enhance reliability and expedite maintenance by simplifying the process.

INFINTY LIFE

The Infinity Life program ensures that the product can be regenerated, refurbished, and updated over the years, following the evolution of new technologies, making it an investment for the future.

RELIABLE AND DURABLE

Stainless steel hardware. Passivated body and painted with epoxy powders with high resistance tested to salt spray mists, also suitable for use in marine environments.

MULTI-CHIP OPTICAL SYSTEM

For controlled light beam distribution and high efficiency.

SUITABLE FOR APPROVED SPORTS INSTALLATIONS

Conforms to the highest quality standards to comply with lighting regulations and requirements. F.I.G.C. - F.I.T. - F.I.N. - F.I.P. (ITALIAN STANDARDS)

DOUBLE INSULATION CLASS II

On request in double insulation class for installation without earthing.

SURGE PROTECTION

Equipped with surge protection in accordance with IEC 61643-11:2011: CLASS III and CLASS II.

ON DEMAND DIMMABLE DALI / DALI 2 / 1-10

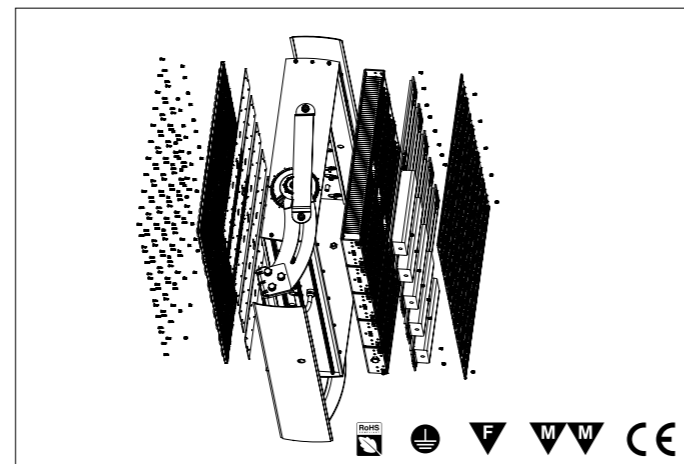
Ideal for adapting to all lighting technology and efficiency requirements.



CONSUMPTION



POWER SUPPLY



BIG

GENERAL FEATURES

DEGREE OF PROTECTION	IP66
IK	08
WEIGHT	24000 G

LIGHTING FEATURES

LED TYPE	PHILIPS LUMILED
CHROME YIELD	80
RG	0 ETHR
FLUX MAINTENANCE	90% 100000HR (L90B10)
INITIAL CHROMATICITY	SDCM <3
TOLLER. LUMINOUS FLUX	+/- 7%

ELECTRICAL CHARACTERISTICS

WATT	1175
TOLERANCE CONSUMPTION	+/- 10%
LIGHT SOURCES	480
POWER SUPPLY	230 V

BIG ARENA 214000

ELECTRICAL CHARACTERISTICS

DIMMABLE	NO
POWER FACTOR	0,9
MAINTENANCE INDEX	0,9

MATERIAL FINISHES

BODY	DIE-CAST ALUMINIUM PASSIVATED EPOXY POWDER COATED
FINISH	RAL9023
SCREEN	POLYMETHYL METHACRYLATE
CABLE	1500MM 3X1,00 NEOPRENE
CABLE GLAND	NICKEL-PLATED BRASS

TEMPERATURES

STORAGE	-35°C TO +80°C
OPERATING	-35°C TO +50°C

RELIABILITY

UP TO 7 YEARS WARRANTY

RECYCLABILITY

95%

CUSTOMIZATION

CABLE	LENGTH IN CM
The dimensions and type of cable may be different from the standard	
DIMMING	DALI / DALI 2
QUICK CONNECTOR IP68 TECHNO	
OVERVOLTAGE PROTECTION FOR VOLTAGES HIGHER THAN 10KV	
DOUBLE INSULATION CLASS II	
POWER SUPPLY SEPARATE FROM THE BODY	

CODE TO DIAL

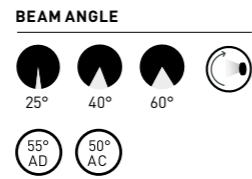
CODE ARTICLE + C + CM TOT
CODE ARTICLE + D1
CODE ARTICLE + DD
CODE ARTICLE + THB
ON REQUEST
ON REQUEST
ON REQUEST

ARTICLES

CODE	KELVIN DEGREES	ANG.	LUMEN		METEL
			RATED LUMES	REAL OUTPUT	
SYMMETRICAL					
BG214117520C	3000 K	25°	203310 LM	173900 LM	BIG214000 PROIETTORE 1175W 25°230V 3K IP66
BG214117540C	3000 K	40°	203310 LM	173900 LM	BIG214000 PROIETTORE 1175W 40°230V 3K IP66
BG214117560C	3000 K	60°	203310 LM	173900 LM	BIG214000 PROIETTORE 1175W 60°230V 3K IP66
BG214117520N	4000 K	25°	214010 LM	182125 LM	BIG214000 PROIETTORE 1175W 25°230V 4K IP66
BG214117540N	4000 K	40°	214010 LM	182125 LM	BIG214000 PROIETTORE 1175W 40°230V 4K IP66
BG214117560N	4000 K	60°	214010 LM	182125 LM	BIG214000 PROIETTORE 1175W 60°230V 4K IP66
BG214117520F	5500 K	25°	224711 LM	188000 LM	BIG214000 PROIETTORE 1175W 25°230V 5.5K IP66
BG214117540F	5500 K	40°	224711 LM	188000 LM	BIG214000 PROIETTORE 1175W 40°230V 5.5K IP66
BG214117560F	5500 K	60°	224711 LM	188000 LM	BIG214000 PROIETTORE 1175W 60°230V 5.5K IP66
ASYMMETRICAL					
BG2141175D55C	3000 K	DIFF 55°	203310 LM	173900 LM	BIG214000 PR.1175W AS.DIF.55°230V 3K IP66
BG2141175C50C	3000 K	CON 50°	203310 LM	173900 LM	BIG214000 PR.1175W AS.CON.50°230V 3K IP66
BG2141175D55N	4000 K	DIFF 55°	214010 LM	182125 LM	BIG214000 PR.1175W AS.DIF.55°230V 4K IP66
BG2141175C50N	4000 K	CON 50°	214010 LM	182125 LM	BIG214000 PR.1175W AS.CON.50°230V 4K IP66
BG2141175D55F	5500 K	DIFF 55°	224711 LM	188000 LM	BIG214000 PR.1175W AS.DIF.55°230V 5.5K IP66
BG2141175C50F	5500 K	CON 50°	224711 LM	188000 LM	BIG214000 PR.1175W AS.CON.50°230V 5.5K IP66

BIG ARENA 229000

High-performance outdoor five modules floodlight with a multichip optical system to enhance light distribution and ensure high efficiency and reliability. Three modules adjustable with a tilt of +/- 30° on the horizontal axis of the module itself, for a better distribution of light through the aiming points. The body features improved aerodynamic resistance, passivated, and coated with high-strength epoxy paints, stainless steel hardware, and a goniometric system for precise adjustment of the light beam. Produced with a quality guarantee over time: Infinity Life.



MAX. BRIGHTNESS

201600 LM REAL LUMES **240786 LM RATED LUMES**

CONTROLLED LIGHT FLOW



PRODUCT PLUS

VIRTUAL MIDNIGHT
Upon request, an efficient solution based on intelligent technologies to reduce consumption by using only the light that is needed, when needed. Management and maintenance costs are not required.

POWER SUPPLY SEPARATE FROM THE BODY
Available with a separate power supply to enhance reliability and expedite maintenance by simplifying the process.

INFINITY LIFE
The Infinity Life program ensures that the product can be regenerated, refurbished, and updated over the years, following the evolution of new technologies, making it an investment for the future.

RELIABLE AND DURABLE
Stainless steel hardware. Passivated body and painted with epoxy powders with high resistance tested to salt spray mists, also suitable for use in marine environments.

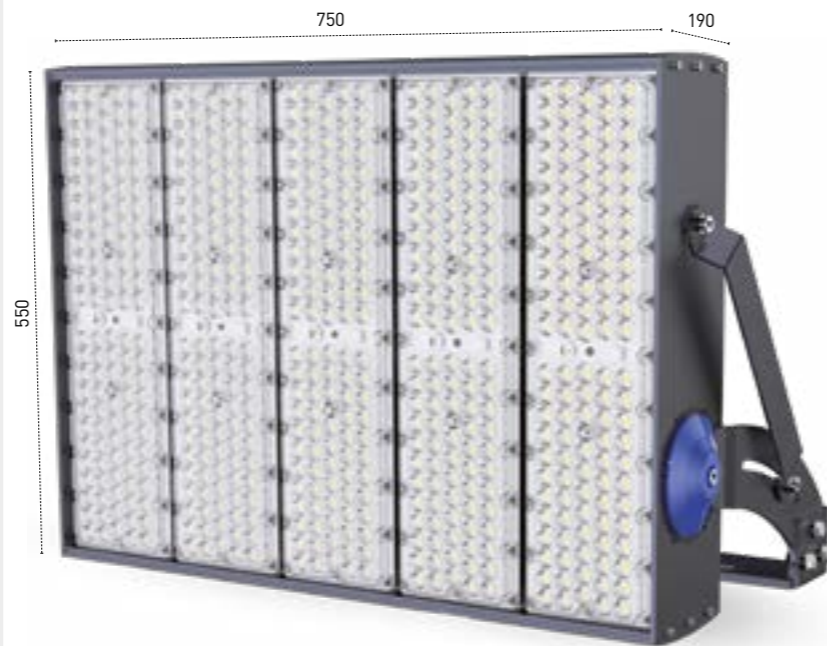
MULTI-CHIP OPTICAL SYSTEM
For controlled light beam distribution and high efficiency.

SUITABLE FOR APPROVED SPORTS INSTALLATIONS
Conforms to the highest quality standards to comply with lighting regulations and requirements. F.I.G.C. - F.I.T. - F.I.N. - F.I.P. (ITALIAN STANDARDS)

DOUBLE INSULATION CLASS II
On request in double insulation class for installation without earthing.

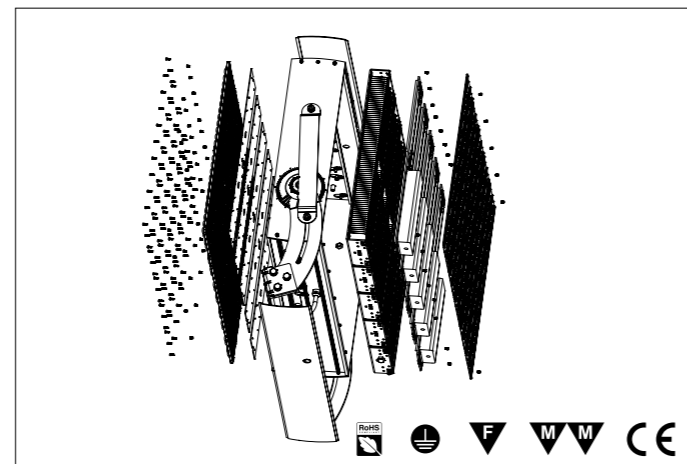
SURGE PROTECTION
Equipped with surge protection in accordance with IEC 61643-11:2011: CLASS III and CLASS II.

ON DEMAND DIMMABLE DALI / DALI 2 / 1-10
Ideal for adapting to all lighting technology and efficiency requirements.



CONSUMPTION **POWER SUPPLY**

1260W 230V



BIG

BIG

BIG ARENA 229000

GENERAL FEATURES	
DEGREE OF PROTECTION	IP66
IK	08
WEIGHT	30000 G
LIGHTING FEATURES	
LED TYPE	PHILIPS LUMILED
CHROME YIELD	80
RG	0 ETHR
FLUX MAINTENANCE	90% 100000HR (L90B10)
INITIAL CHROMATICITY	SDCM <3
TOLLER. LUMINOUS FLUX	+/- 7%
ELECTRICAL CHARACTERISTICS	
WATT	1260
TOLERANCE CONSUMPTION	+/- 10%
LIGHT SOURCES	600
POWER SUPPLY	230 V

ELECTRICAL CHARACTERISTICS	
DIMMABLE	NO
POWER FACTOR	0,9
MAINTENANCE INDEX	0,9
MATERIAL FINISHES	
BODY	DIE-CAST ALUMINIUM PASSIVATED EPOXY POWDER COATED
FINISH	RAL9023
SCREEN	POLYMETHYL METHACRYLATE
CABLE	1500MM 3X1,00 NEOPRENE
CABLE GLAND	NICKEL-PLATED BRASS
TEMPERATURES	
STORAGE	-35°C TO +80°C
OPERATING	-35°C TO +50°C
RELIABILITY	UP TO 7 YEARS WARRANTY
RECYCLABILITY	95%

CUSTOMIZATION	LENGTH IN CM	CODE TO DIAL
CABLE The dimensions and type of cable may be different from the standard		CODE ARTICLE + C + CM TOT
	1-10	CODE ARTICLE + D1
DIMMING	DALI / DALI 2	CODE ARTICLE + DD
QUICK CONNECTOR IP68 TECHNO		CODE ARTICLE + THB
OVERVOLTAGE PROTECTION FOR VOLTAGES HIGHER THAN 10KV		ON REQUEST
DOUBLE INSULATION CLASS II		ON REQUEST
POWER SUPPLY SEPARATE FROM THE BODY		ON REQUEST

ARTICLES

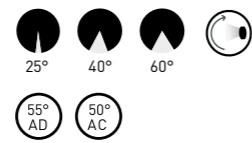
CODE	KELVIN DEGREES	ANG.	LUMEN		METEL
			RATED LUMES	REAL OUTPUT	
SYMMETRICAL					
BG229126020C	3000 K	25°	217854 LM	186480 LM	BIG229000 PROIETTORE 1260W 25°230V 3K IP66
BG229126040C	3000 K	40°	217854 LM	186480 LM	BIG229000 PROIETTORE 1260W 40°230V 3K IP66
BG229126060C	3000 K	60°	217854 LM	186480 LM	BIG229000 PROIETTORE 1260W 60°230V 3K IP66
BG229126020N	4000 K	25°	229320 LM	195300 LM	BIG229000 PROIETTORE 1260W 25°230V 4K IP66
BG229126040N	4000 K	40°	229320 LM	195300 LM	BIG229000 PROIETTORE 1260W 40°230V 4K IP66
BG229126060N	4000 K	60°	229320 LM	195300 LM	BIG229000 PROIETTORE 1260W 60°230V 4K IP66
BG229126020F	5500 K	25°	240786 LM	201600 LM	BIG229000 PROIETTORE 1260W 25°230V 5.5K IP66
BG229126040F	5500 K	40°	240786 LM	201600 LM	BIG229000 PROIETTORE 1260W 40°230V 5.5K IP66
BG229126060F	5500 K	60°	240786 LM	201600 LM	BIG229000 PROIETTORE 1260W 60°230V 5.5K IP66
ASYMMETRICAL					
BG2291260D55C	3000 K	DIFF 55°	217854 LM	186480 LM	BIG229000 PR.1260W AS.DIF.55° 230V 3K IP66
BG2291260C50C	3000 K	CON 50°	217854 LM	186480 LM	BIG229000 PR.1260W AS.CON.50°230V 3K IP66
BG2291260D55N	4000 K	DIFF 55°	229320 LM	195300 LM	BIG229000 PR.1260W AS.DIF.55° 230V 4K IP66
BG2291260C50N	4000 K	CON 50°	229320 LM	195300 LM	BIG229000 PR.1260W AS.CON.50°230V 4K IP66
BG2291260D55F	5500 K	DIFF 55°	240786 LM	201600 LM	BIG229000 PR.1260W AS.DIF.55° 230V 5.5K IP66
BG2291260C50F	5500 K	CON 50°	240786 LM	201600 LM	BIG229000 PR.1260W AS.CON.50°230V 5.5K IP66

BIG ARENA 250000

High-performance outdoor five modules floodlight with a multichip optical system to enhance light distribution and ensure high efficiency and reliability. Three modules adjustable with a tilt of +/- 30° on the horizontal axis of the module itself, for a better distribution of light through the aiming points. The body features improved aerodynamic resistance, passivated, and coated with high-strength epoxy paints, stainless steel hardware, and a goniometric system for precise adjustment of the light beam. Produced with a quality guarantee over time: Infinity Life.



BEAM ANGLE



MAX. BRIGHTNESS

220000 LM
REAL LUMES

262750 LM
RATED LUMES



CONTROLLED LIGHT FLOW



PRODUCT PLUS

VIRTUAL MIDNIGHT

Upon request, an efficient solution based on intelligent technologies to reduce consumption by using only the light that is needed, when needed. Management and maintenance costs are not required.

POWER SUPPLY SEPARATE FROM THE BODY

Available with a separate power supply to enhance reliability and expedite maintenance by simplifying the process.

INFINITY LIFE

The Infinity Life program ensures that the product can be regenerated, refurbished, and updated over the years, following the evolution of new technologies, making it an investment for the future.

RELIABLE AND DURABLE

Stainless steel hardware. Passivated body and painted with epoxy powders with high resistance tested to salt spray mists, also suitable for use in marine environments.

MULTI-CHIP OPTICAL SYSTEM

For controlled light beam distribution and high efficiency.

SUITABLE FOR APPROVED SPORTS INSTALLATIONS

Conforms to the highest quality standards to comply with lighting regulations and requirements. F.I.G.C. - F.I.T. - F.I.N. - F.I.P. (ITALIAN STANDARDS)

DOUBLE INSULATION CLASS II

On request in double insulation class for installation without earthing.

SURGE PROTECTION

Equipped with surge protection in accordance with IEC 61643-11:2011: CLASS III and CLASS II.

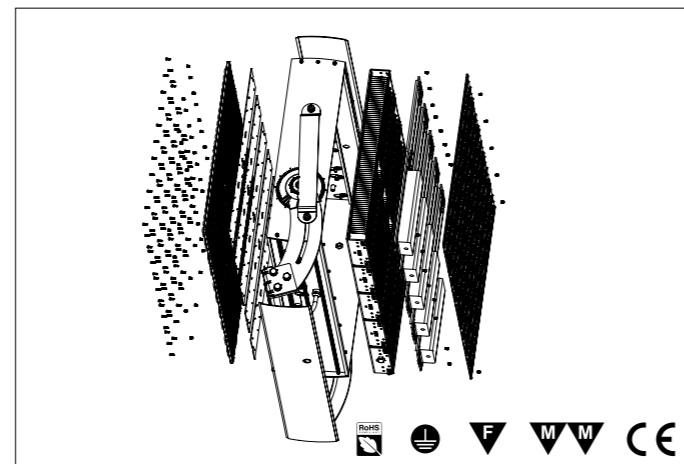
ON DEMAND DIMMABLE DALI / DALI 2 / 1-10

Ideal for adapting to all lighting technology and efficiency requirements.

CONSUMPTION



POWER SUPPLY



BIG

GENERAL FEATURES

DEGREE OF PROTECTION	IP66
IK	08
WEIGHT	30000 G

LIGHTING FEATURES

LED TYPE	PHILIPS LUMILED
CHROME YIELD	80
RG	0 ETHR
FLUX MAINTENANCE	90% 100000HR (L90B10)
INITIAL CHROMATICITY	SDCM <3
TOLLER. LUMINOUS FLUX	+/- 7%

ELECTRICAL CHARACTERISTICS

WATT	1375
TOLERANCE CONSUMPTION	+/- 10%
LIGHT SOURCES	600
POWER SUPPLY	230 V

BIG ARENA 250000

ELECTRICAL CHARACTERISTICS

DIMMABLE	NO
POWER FACTOR	0,9
MAINTENANCE INDEX	0,9

MATERIAL FINISHES

BODY	DIE-CAST ALUMINIUM PASSIVATED EPOXY POWDER COATED
FINISH	RAL9023
SCREEN	POLYMETHYL METHACRYLATE
CABLE	1500MM 3X1,00 NEOPRENE
CABLE GLAND	NICKEL-PLATED BRASS

TEMPERATURES

STORAGE	-35°C TO +80°C
OPERATING	-35°C TO +50°C

RELIABILITY

UP TO 7 YEARS WARRANTY

RECYCLABILITY

95%

CUSTOMIZATION

CABLE	LENGTH IN CM
The dimensions and type of cable may be different from the standard	
DIMMING	DALI / DALI 2
QUICK CONNECTOR IP68 TECHNO	
OVERVOLTAGE PROTECTION FOR VOLTAGES HIGHER THAN 10KV	
DOUBLE INSULATION CLASS II	
POWER SUPPLY SEPARATE FROM THE BODY	

CODE TO DIAL

CODE ARTICLE + C + CM TOT
CODE ARTICLE + D1
CODE ARTICLE + DD
CODE ARTICLE + THB
ON REQUEST
ON REQUEST
ON REQUEST

ARTICLES

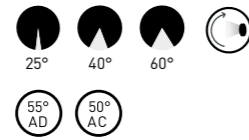
CODE	KELVIN DEGREES	ANG.	LUMEN		METEL
			RATED LUMES	REAL OUTPUT	
SYMMETRICAL					
BG250137520C	3000 K	25°	237740 LM	203500 LM	BIG250000 PROIETTORE 1375W 25°230V 3K IP66
BG250137540C	3000 K	40°	237740 LM	203500 LM	BIG250000 PROIETTORE 1375W 40°230V 3K IP66
BG250137560C	3000 K	60°	237740 LM	203500 LM	BIG250000 PROIETTORE 1375W 60°230V 3K IP66
BG250137520N	4000 K	25°	250250 LM	213125 LM	BIG250000 PROIETTORE 1375W 25°230V 4K IP66
BG250137540N	4000 K	40°	250250 LM	213125 LM	BIG250000 PROIETTORE 1375W 40°230V 4K IP66
BG250137560N	4000 K	60°	250250 LM	213125 LM	BIG250000 PROIETTORE 1375W 60°230V 4K IP66
BG250137520F	5500 K	25°	262750 LM	220000 LM	BIG250000 PROIETTORE 1375W 25°230V 5.5K IP66
BG250137540F	5500 K	40°	262750 LM	220000 LM	BIG250000 PROIETTORE 1375W 40°230V 5.5K IP66
BG250137560F	5500 K	60°	262750 LM	220000 LM	BIG250000 PROIETTORE 1375W 60°230V 5.5K IP66
ASYMMETRICAL					
BG2501375D55C	3000 K	DIFF 55°	237740 LM	203500 LM	BIG250000 PR.1375W AS.DIF.55°230V 3K IP66
BG2501375C50C	3000 K	CON 50°	237740 LM	203500 LM	BIG250000 PR.1375W AS.CON.50°230V 3K IP66
BG2501375D55N	4000 K	DIFF 55°	250250 LM	213125 LM	BIG250000 PR.1375W AS.DIF.55°230V 4K IP66
BG2501375C50N	4000 K	CON 50°	250250 LM	213125 LM	BIG250000 PR.1375W AS.CON.50°230V 4K IP66
BG2501375D55F	5500 K	DIFF 55°	262750 LM	220000 LM	BIG250000 PR.1375W AS.DIF.55°230V 5.5K IP66
BG2501375C50F	5500 K	CON 50°	262750 LM	220000 LM	BIG250000 PR.1375W AS.CON.50°230V 5.5K IP66

BIG ARENA 287000

High-performance outdoor five modules floodlight with a multichip optical system to enhance light distribution and ensure high efficiency and reliability. Three modules adjustable with a tilt of +/- 30° on the horizontal axis of the module itself, for a better distribution of light through the aiming points. The body features improved aerodynamic resistance, passivated, and coated with high-strength epoxy paints, stainless steel hardware, and a goniometric system for precise adjustment of the light beam. Produced with a quality guarantee over time: Infinity Life.



BEAM ANGLE



MAX. BRIGHTNESS

252000 LM
REAL LUMES

300900 LM
RATED LUMES



CONTROLLED LIGHT FLOW



PRODUCT PLUS

VIRTUAL MIDNIGHT

Upon request, an efficient solution based on intelligent technologies to reduce consumption by using only the light that is needed, when needed. Management and maintenance costs are not required.

POWER SUPPLY SEPARATE FROM THE BODY

Available with a separate power supply to enhance reliability and expedite maintenance by simplifying the process.

INFINITY LIFE

The Infinity Life program ensures that the product can be regenerated, refurbished, and updated over the years, following the evolution of new technologies, making it an investment for the future.

RELIABLE AND DURABLE

Stainless steel hardware. Passivated body and painted with epoxy powders with high resistance tested to salt spray mists, also suitable for use in marine environments.

MULTI-CHIP OPTICAL SYSTEM

For controlled light beam distribution and high efficiency.

SUITABLE FOR APPROVED SPORTS INSTALLATIONS

Conforms to the highest quality standards to comply with lighting regulations and requirements. F.I.G.C. - F.I.T. - F.I.N. - F.I.P. (ITALIAN STANDARDS)

DOUBLE INSULATION CLASS II

On request in double insulation class for installation without earthing.

SURGE PROTECTION

Equipped with surge protection in accordance with IEC 61643-11:2011: CLASS III and CLASS II.

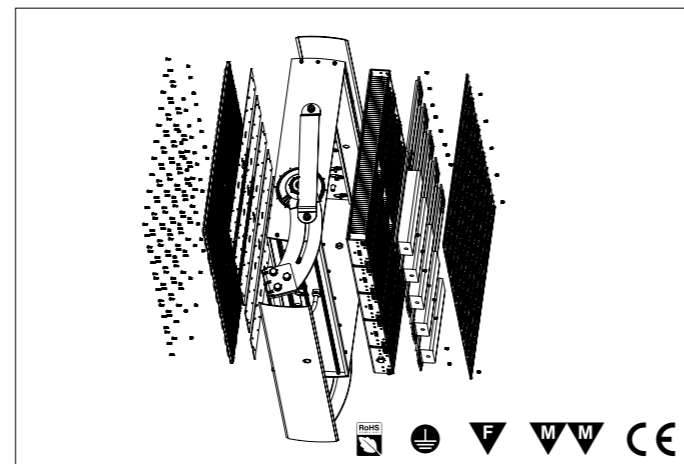
ON DEMAND DIMMABLE DALI / DALI 2 / 1-10

Ideal for adapting to all lighting technology and efficiency requirements.

CONSUMPTION



POWER SUPPLY



BIG

GENERAL FEATURES

DEGREE OF PROTECTION	IP66
IK	08
WEIGHT	30000 G

LIGHTING FEATURES

LED TYPE	PHILIPS LUMILED
CHROME YIELD	80
RG	0 ETHR
FLUX MAINTENANCE	90% 100000HR (L90B10)
INITIAL CHROMATICITY	SDCM <3
TOLLER. LUMINOUS FLUX	+/- 7%

ELECTRICAL CHARACTERISTICS

WATT	1575
TOLERANCE CONSUMPTION	+/- 10%
LIGHT SOURCES	600
POWER SUPPLY	230 V

BIG ARENA 287000

ELECTRICAL CHARACTERISTICS

DIMMABLE	NO
POWER FACTOR	0,9
MAINTENANCE INDEX	0,9

MATERIAL FINISHES

BODY	DIE-CAST ALUMINIUM PASSIVATED EPOXY POWDER COATED
FINISH	RAL9023
SCREEN	POLYMETHYL METHACRYLATE
CABLE	1500MM 3X1,00 NEOPRENE
CABLE GLAND	NICKEL-PLATED BRASS

TEMPERATURES

STORAGE	-35°C TO +80°C
OPERATING	-35°C TO +50°C

RELIABILITY

UP TO 7 YEARS WARRANTY

RECYCLABILITY

95%

CUSTOMIZATION

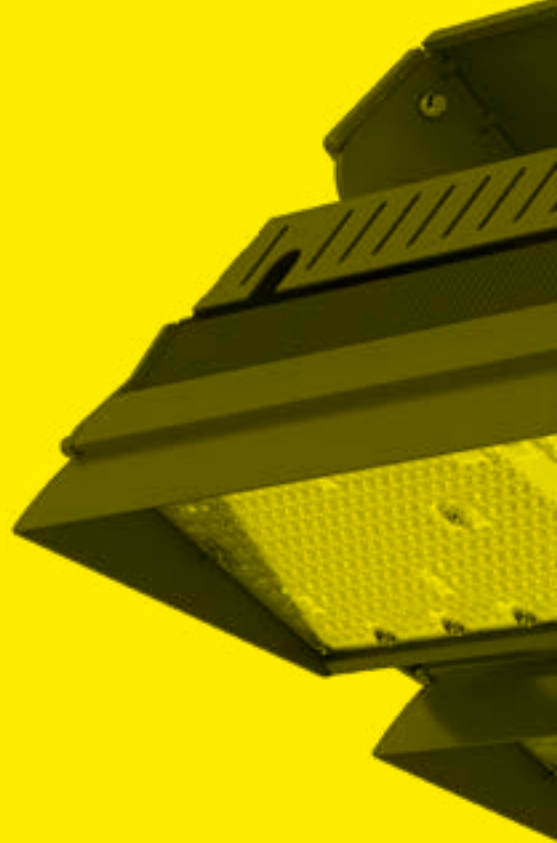
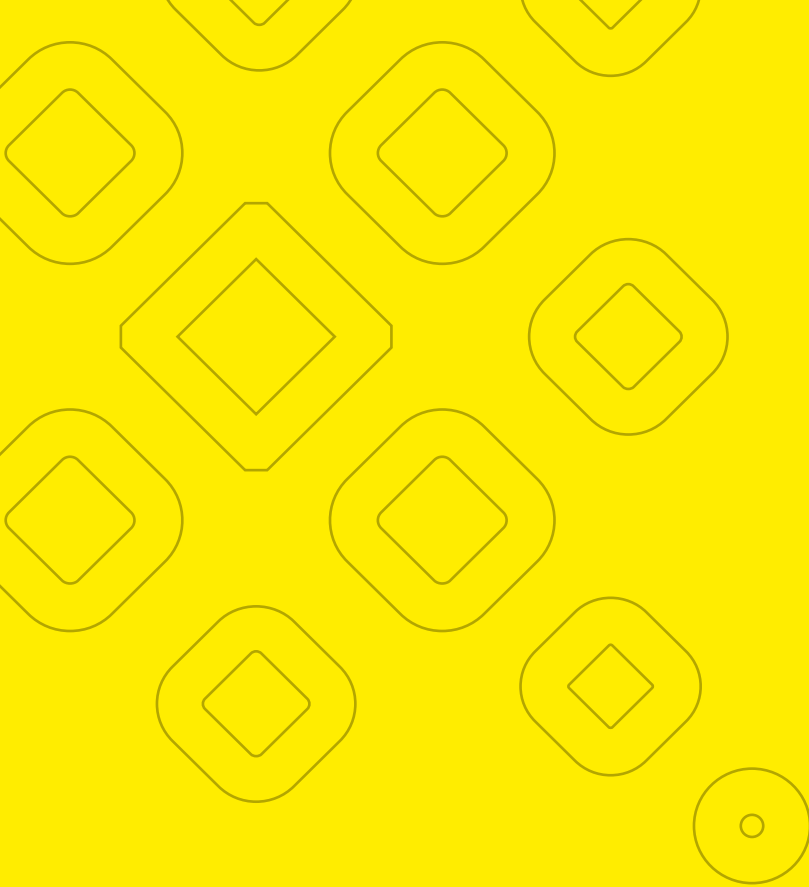
CABLE	LENGTH IN CM
The dimensions and type of cable may be different from the standard	
DIMMING	DALI / DALI 2
QUICK CONNECTOR IP68 TECHNO	
OVERVOLTAGE PROTECTION FOR VOLTAGES HIGHER THAN 10KV	
DOUBLE INSULATION CLASS II	
POWER SUPPLY SEPARATE FROM THE BODY	

CODE TO DIAL

CODE ARTICLE + C + CM TOT
CODE ARTICLE + D1
CODE ARTICLE + DD
CODE ARTICLE + THB
ON REQUEST
ON REQUEST
ON REQUEST

ARTICLES

CODE	KELVIN DEGREES	ANG.	LUMEN		METEL
			RATED LUMES	REAL OUTPUT	
SYMMETRICAL					
BG287157520C	3000 K	25°	272310 LM	233100 LM	BIG287000 PROIETTORE 1575W 25°230V 3K IP66
BG287157540C	3000 K	40°	272310 LM	233100 LM	BIG287000 PROIETTORE 1575W 40°230V 3K IP66
BG287157560C	3000 K	60°	272310 LM	233100 LM	BIG287000 PROIETTORE 1575W 60°230V 3K IP66
BG287157520N	4000 K	25°	286650 LM	244125 LM	BIG287000 PROIETTORE 1575W 25°230V 4K IP66
BG287157540N	4000 K	40°	286650 LM	244125 LM	BIG287000 PROIETTORE 1575W 40°230V 4K IP66
BG287157560N	4000 K	60°	286650 LM	244125 LM	BIG287000 PROIETTORE 1575W 60°230V 4K IP66
BG287157520F	5500 K	25°	300900 LM	252000 LM	BIG287000 PROIETTORE 1575W 25°230V 5.5K IP66
BG287157540F	5500 K	40°	300900 LM	252000 LM	BIG287000 PROIETTORE 1575W 40°230V 5.5K IP66
BG287157560F	5500 K	60°	300900 LM	252000 LM	BIG287000 PROIETTORE 1575W 60°230V 5.5K IP66
ASYMMETRICAL					
BG2871575D55C	3000 K	DIFF 55°	272310 LM	233100 LM	BIG287000 PR.1575W AS.DIF.55°230V 3K IP66
BG2871575C50C	3000 K	CON 50°	272310 LM	233100 LM	BIG287000 PR.1575W AS.CON.50°230V 3K IP66
BG2871575D55N	4000 K	DIFF 55°	286650 LM	244125 LM	BIG287000 PR.1575W AS.DIF.55°230V 4K IP66
BG2871575C50N	4000 K	CON 50°	286650 LM	244125 LM	BIG287000 PR.1575W AS.CON.50°230V 4K IP66
BG2871575D55F	5500 K	DIFF 55°	300900 LM	252000 LM	BIG287000 PR.1575W AS.DIF.55°230V 5.5K IP66
BG2871575C50F	5500 K	CON 50°	300900 LM	252000 LM	BIG287000 PR.1575W AS.CON.50°230V 5.5K IP66



 **PLAYLED**



Visit our website

PLAYLED is a brand of **Ingegnerie Meccaniche Italiane**

Production and offices:
Via Vecchia Madonna dello Sterpeto, 120 - **76121 Barletta**

Phone: **+39 0883642125** - P.IVA: **06791590729**
Cod. dest.: **J6URRTW** - PEC: **playled@pec.it**
National Reg. AEE producers: **IT09040000005952**

TRIPLA METEL ERX